



Pallet Rack Product Guide



RIDG-U-RAK®



Pallet Rack Product Guide

Table of Contents

Tear Drop Frames	3-4
Tear Drop Frame Warning.....	5
Tear Drop Column Sentry	6-7
Tear Drop Rack Beam Nomenclature	8-10
Tear Drop Beam Capacity	11
Team Drop Beams (Non Seismic Ratings)	12-15
Slotted Frames	16-17
Slotted Frame Warning.....	18
Slotted Rack Column Sentry	19-20
Slotted Rack Rack Beam Nomenclature	21-24
Slotted Rack Beam Capacity	25
Slotted Beams (Non Seismic Ratings)	26-29
Frame Bundle Quantities	30
Beam Bundle Quantities	31
Color Chart.....	32
Floor Pad Options.....	33
Base Channel – Heavy Bottom.....	34
Deflector Options	35
Pallet Stop Chart	36
Loadstop Beams.....	37
Row Spacers	38
Crossbars.....	39-41
Column Guards.....	42
Skid Rails - Fork Entry Bars	43
Aisle Bridges	44
Miscellaneous	45-46

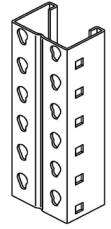
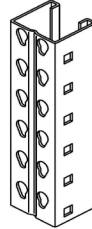
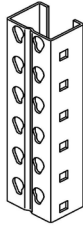
This is an interactive PDF. Click on the Title you would like to view. To return to the Table of Contents simply click on the Ridg-U-Rak logo at the top of the page.



Pallet Rack Product Guide

Ridg-U-Rak Tear Drop Pallet Rack

Upright Frame Capacities



	[31] 3 x 1-5/8	[32] 3 x 2-1/4	[33] 3 X 3					[43] 4 x 3	
Unsupported Length	UF-S31	UF-S32	UF-S33	UF-R33	UF-M33	UF-Y33	UF-H33	UF-M43	UF-H43
36"	19,100	23,500	28,600	34,100	38,800	42,100	47,000	47,900	62,600
42"	17,900	22,100	26,900	33,100	35,600	39,500	43,000	45,700	60,500
48"	16,700	20,600	25,100	29,800	33,800	36,600	40,900	44,500	58,100
54"	15,200	18,900	23,100	27,500	31,900	33,600	38,600	43,100	55,300
60"	13,800	17,200	21,100	25,000	28,100	30,400	33,900	40,200	52,400
72"	10,800	13,700	17,000	20,000	22,300	24,100	26,800	35,300	46,000
84"	8,200	10,600	13,200	15,400	17,200	18,600	20,700	30,200	39,300
96"	6,500	8,400	10,500	12,200	13,500	14,700	16,300	25,200	32,800
108"	5,200	6,800	8,500	9,900	10,900	11,800	13,100	20,500	26,600

Consult with factory for vertical beam-to-beam spacings greater than 108"

The Frame Capacity Chart gives allowable loads based on the specified "Unsupported Length" of the columns. Values shown are in full compliance with the current RMI Specifications. The loads on upright frames accumulate from top to bottom, therefore, the unsupported length and the column load below each beam level should be checked to determine the worst-case scenario. The capacities shown in this table are for static load conditions only. For other special conditions such as seismic or wind loadings, consult with Ridg-U-Rak sales.





Pallet Rack Product Guide

Tear Drop Pallet Rack Upright Frame Part Numbers Nomenclature

DESCRIPTION FIELDS							OPTION FIELDS									
ITEM FAMILY		MATERIAL	COLUMN PROFILE		FRAME HEIGHT		FRAME DEPTH		BRACE OPTION	COLOR		REINFORCEMENT		FLOOR PAD	DEFLECTOR	SPECIAL
UF	-	S	33I	-	12.00	-	48.00		A	83	-	00	-	01	0	0

CATALOG PART NUMBER

OPTIONS (Standard Shown)
(Catalog Parts are Standard)

ITEM FAMILY	UF Upright Frame
MATERIAL	S, R, M, Y, H Material Thickness Indicator
COLUMN PROFILE	31I, 32I, 33I, 43I available sections
FRAME HEIGHT	Height in Feet with two decimal places (ie. 12.33 is 12'-4") Heights allowed in 4 inch increments only (ie. 12.00, 12.33, 12.67, etc.)
FRAME DEPTH	Depth of Frame in inches (ie. 42.00 is 42") Depths should always be full one inch increments
BRACE OPTION	~A~ is Standard Brace Option
COLOR	83 is Standard --> Lake Green See Paint Color Option Table for available alternate colors and pricing.
REINFORCEMENT	00 is Standard (no reinforcement) See Column Reinforcement Options (Column Sentry)
FLOOR PAD OPTION	01 is Standard --> 1/8 x 3-3/8 x 4-3/4" plate with two holes See Floor Pad Option for available sizes and pricing
DEFLECTOR OPTION	0 is Standard (no deflector) See Deflector Options
SPECIAL	Standard Option is ~0~ which denotes nothing special required

Paint Finish

- All Uprights are painted Lake Green (83) unless otherwise noted
- For Standard Optional colors that are available, please refer to the Paint Options on page 30.
- For other custom colors, contact the Regional Sales Manager or Inside Sales (paint chip required)
- All finishes are powder coat paint

General Notes

- For Upright Sizes not shown in tables, contact your Regional Sales Manager or the Sales Dept.
- Use only 4" increments when specifying intermediate frame heights
- Weights shown are approximate
- Standard Floor Pads require only one anchor per pad, either hole can be used
- The holes in the Standard Floor pad (per floor pad) are too close for two anchors to be used properly. The second hole is an alternate should you find an obstruction in the floor when using the first selection hole. If two anchors per floor pad are required, choose a larger floor pad. (refer to the Floor Pad options)

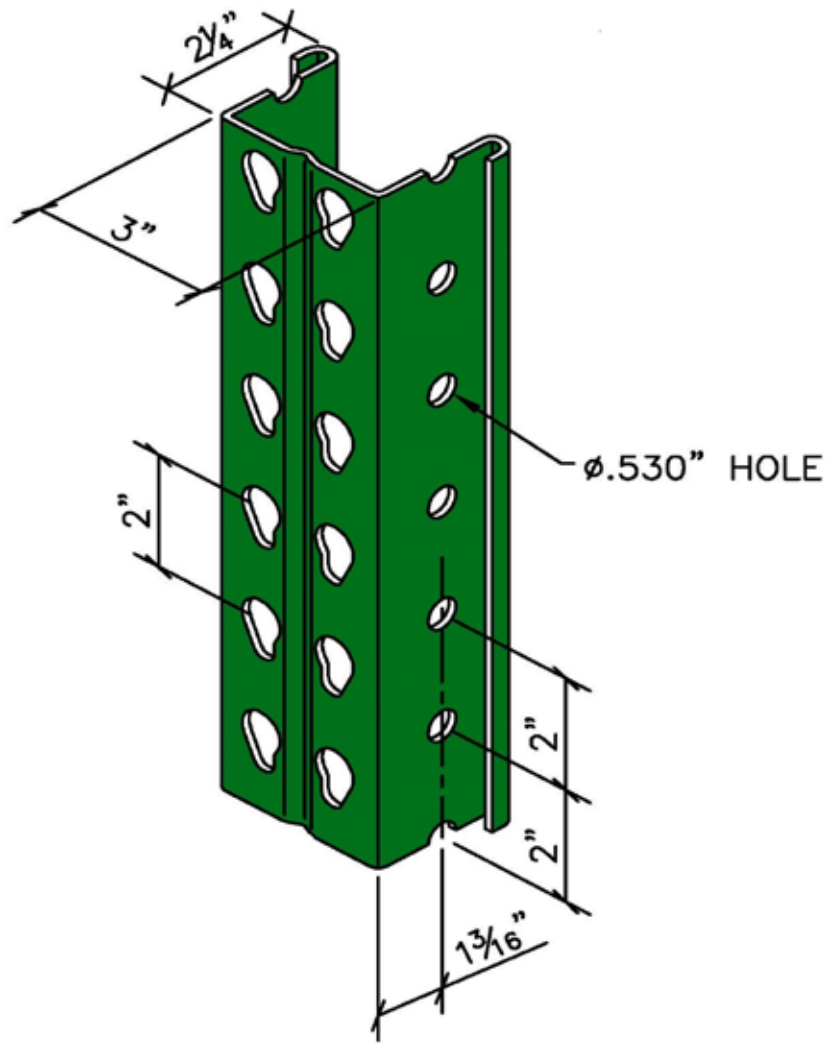


Pallet Rack Product Guide

This style of tear drop column with outward rolled flanges was produced from 1987 and discontinued in 1990.


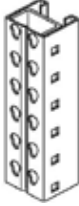
WARNING!

Current Ridg-U-Tear connectors will not fit this style of column.



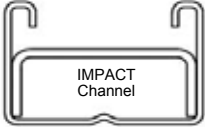



Pallet Rack Product Guide

Column Impact Protection Options		
TEAR DROP Column Sentry		
 331 		
Columns Reinforced	Reinforcing OPTIONS	Inches of Column Sentry Height Above Floor
Front Column Only 331 Style Frames (NOTE: Impact Protection Channel not available in 311 or 321 column types)	Option # 01	48
	Option # 08	60
	Option # 10	72
	Option # 13	84
	Option # 16	96
	Option # 19	108
	Option # 22	120
	Option # 25	132
	Option # 28	144
	Option # 31	156
	Option # 34	168
	Option # 37	180
	Option # 40	192
Rear Column Only 331 Style Frames (NOTE: Impact Protection Channel not available in 311 or 321 column types)	Option # 05	48
	Option # 09	60
	Option # 12	72
	Option # 15	84
	Option # 18	96
	Option # 21	108
	Option # 24	120
	Option # 27	132
	Option # 30	144
	Option # 33	156
	Option # 36	168
	Option # 39	180
	Option # 42	192
Both Columns for 331 Style Frames (NOTE: Impact Protection Channel not available in 311 or 321 column types)	Option # 02	48
	Option # 07	60
	Option # 11	72
	Option # 14	84
	Option # 17	96
	Option # 20	108
	Option # 23	120
	Option # 26	132
	Option # 29	144
	Option # 32	156
	Option # 35	168
	Option # 38	180
	Option # 41	192



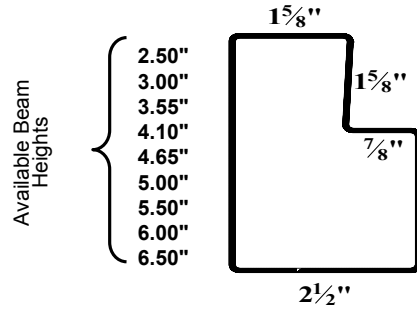
Pallet Rack Product Guide

Column Impact Protection Options		
TEAR DROP Column Sentry		
 43I 		
Columns Reinforced	Reinforcing OPTIONS	Inches of Column Sentry Height Above Floor
Front Column Only 43I Style Frames	Option # 01	48
	Option # 08	60
	Option # 10	72
	Option # 13	84
	Option # 16	96
	Option # 19	108
	Option # 22	120
	Option # 25	132
	Option # 28	144
	Option # 31	156
	Option # 34	168
	Option # 37	180
Option # 40	192	
Rear Column Only 43I Style Frames	Option # 05	48
	Option # 09	60
	Option # 12	72
	Option # 15	84
	Option # 18	96
	Option # 21	108
	Option # 24	120
	Option # 27	132
	Option # 30	144
	Option # 33	156
	Option # 36	168
	Option # 39	180
Option # 42	192	
Both Columns for 43I Style Frames	Option # 02	48
	Option # 07	60
	Option # 11	72
	Option # 14	84
	Option # 17	96
	Option # 20	108
	Option # 23	120
	Option # 26	132
	Option # 29	144
	Option # 32	156
	Option # 35	168
	Option # 38	180
Option # 41	192	



Pallet Rack Product Guide

Ridg-U-Rak TEAR DROP style Pallet Rack Beams



Beam Capacities

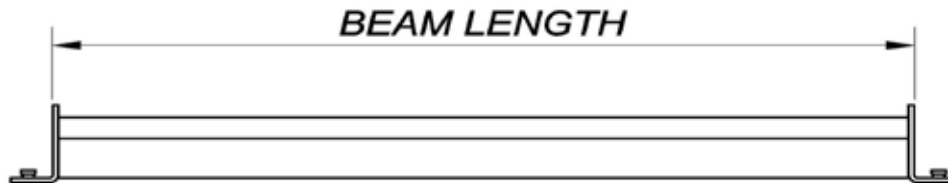
- Stated beam capacities are the non-seismic ratings per pair (per shelf level). Seismic conditions may reduce the capacity, contact your Regional Sales Manager or Ridg-U-Rak Sales if Seismic is a requirement.
- Beam capacities are based on uniformly distributed loads
- Beam design capacity ratings conform to the most current RMI Specifications
- All beams over 114" in length should use at least one flanged, tek-screwed or lock-in cross bar located at mid-length. (not required when using outside waterfall wire decking)
- The Maximum capacity on any beam with Connector Option #72 on 2.50, 3.00, 3.55, 4.10, 4.65, 5.00 profile beams can not exceed 12,000 lbs per pair (uniformly loaded)
- The Maximum capacity on any beam with connector Option #73 on 5.50, 6.00, 6.50 profile beams can not exceed 18,000 lbs per pair (uniformly loaded)

Standard option for sizes:	OPTION # 72
250	
300	
355	
410	
465	
500	

Standard option for sizes:	Option # 73
550	
600	
650	

Beam Length Determination

- The beam lengths are equal to the column side face-to-side face distance between the frame columns
- For 31 or 32 or 33 columns the column centerline distance is 3" greater than the beam length
- For 43 columns the column centerline distance is 4" greater than the beam length





Pallet Rack Product Guide

Ridg-U-Rak TEAR DROP Pallet Rack Beam Part Number Nomenclature

DESCRIPTION FIELDS								OPTION FIELDS								
ITEM FAMILY		MATERIAL	APPLICABLE COLUMN PROFILE		BEAM HEIGHT		BEAM LENGTH	PALLET STOP	BEAM PUNCH PATTERN	PAINT		WELD DOWN		HOOK OPTION		SPECIAL
RB	-	S	32I	-	355	-	096.00	0	0	02	-	00	-	72	-	0

CATALOG PART NUMBER

OPTIONS (Standard Shown)
(Catalog Parts are Standard)

ITEM FAMILY	RB Rolled Beam
MATERIAL	L, S, R Material Thickness Indicator
APPLICABLE COLUMN PROFILE	32I is Standard for all Ridg-U-Rak TEAR DROP Systems
BEAM HEIGHT	250, 300, 355, 410, 465, 500, 550, 600, 650 (ex. 355 is 3.55" Beam Height)
BEAM LENGTH	Length in inches (ex. 096.00 is the length for a 96" Beam)
PALLET STOP	0 is Standard (no pallet stop) See Pallet Stop Option Table
STEP PUNCH PATTERN	0 is no-punching "standard"; "M" is for 2-pallets; "R" is for 3-pallets (see next page)
PAINT OPTION	02 is Standard --> Safety Orange See Paint Option Table for available alternate colors and pricing.
WELD DOWN	00 is Standard --> Top of beam is flush with top of Connector for Tear Drop style NOTE: Weld downs are in sixteenth inch increments 02 = 2/16 = 1/8"
HOOK OPTION	72 is 2-Pin 6" Connector (Standard for 250, 300, 355, 410, 465, 500 beams heights) 73 is 3-Pin 8" Connector (Standard for 550, 600, 650 beams heights)
SPECIAL	0 is Standard (no special options) Contact your Regional Sales Manager for any special requirement

Paint Finish

- All Beams are painted Safety Orange 02, unless otherwise noted
- For Alternate Colors available see Paint Options Table on page 30
- For custom colors contact your Regional Sales Manager or the Sales Dept.
- All finishes are powder coat paint

General Notes

- Intermediate beam lengths are available as needed



Pallet Rack Product Guide

STANDARD Beam Step Punch Patterns for "Tabbed" and "Drop-in" Cross Bars

Beam Punch Option "A"
Used for Mid Span Ties
P/N Example: RB-S32I-410-120.000A02-00-72-0

Mid Span



PALLET



Beam Punch Option "K"
Used for 1-pallet wide beams
P/N Example: RB-S32I-410-048.000K02-00-72-0



PALLET

Beam Punch Option "M"
Used for 2-pallet wide beams
P/N Example: RB-S32I-410-096.000M02-00-72-0

PALLET



PALLET

PALLET

PALLET

Beam Punch Option "R"
Used for 3-pallet wide beams
P/N Example: RB-S32I-500-144.000R02-00-72-0

NOTE: The above standard punching patterns are available at the same price as non-punched beams. Custom punching patterns are available, however, additional cost and longer lead times may be incurred. Please contact your Regional Manager for pricing.



Pallet Rack Product Guide

NON-Seismic rating

Beam Capacities (Per Pair of Beams) Tear Drop style											
Beam Profile											
Beam Length (in.)	S250	S300	S355	L410	S410	S465	S500	S550	S600	S650	R650
48	5700	7500	9760	10810	12270*	15020*	16890*	19720*	22750*	25940*	29450*
52	5250	6910	8990	9970	11310	13850*	15570*	18180*	20970*	23910*	27140*
56	4870	6410	8340	9240	10490	12840*	14440*	16860	19440*	22180*	25170*
60	4530	5980	7770	8620	9780	11970	13460*	15710	18120*	20670*	23460*
64	3980	5600	7280	8070	9150	11210	12600*	14710	16970	19350*	21970*
68	3520	5260	6840	7580	8600	10530	11840	13830	15950	18190*	20650*
72	3130	4820	6460	7150	8120	9940	11170	13050	15050	17160	19480*
76	2810	4320	6110	6770	7680	9400	10570	12350	14240	16240	18430*
80	2530	3900	5800	6420	7290	8920	10030	11720	13510	15410	17490
84	2300	3530	5330	6110	6930	8490	9540	11150	12850	14660	16640
88	2090	3210	4850	5830	6610	8100	9100	10630	12260	13980	15870
92	1910	2940	4440	5570	6320	7740	8700	10160	11710	13360	15160
96	1750	2690	4070	5200	5830	7410	8330	9720	11210	12790	14520
100	1610	2480	3750	4790	5370	7100	7990	9330	10750	12270	13920
104	1490	2290	3460	4420	4960	6820	7670	8960	10330	11780	13370
108	1380	2120	3210	4100	4600	6320	7380	8620	9940	11340	12870
112		1970	2980	3810	4270	5870	7070	8300	9580	10920	12400
116		1840	2770	3540	3980	5470	6580	8010	9240	10540	11960
120		1720	2590	3310	3710	5110	6140	7740	8920	10180	11550
124			2420	3100	3470	4780	5750	7340	8630	9840	11170
128			2270	2900	3260	4480	5390	6890	8350	9530	10810
132			2140	2730	3060	4210	5060	6470	8090	9230	10480
136			2010	2570	2880	3960	4770	6090	7620	8950	10160
140				2420	2720	3730	4500	5740	7190	8690	9860
144				2290	2570	3530	4250	5420	6790	8360	9370
148				2160	2430	3340	4020	5130	6420	7910	8870
152				2050	2300	3160	3800	4860	6080	7490	8400
156				1940	2180	3000	3610	4610	5770	7110	7970

* These capacities per pair of beams may exceed the connector load limitation for tear drop style beams. Please refer the beam page for verification.





Pallet Rack Product Guide

Ridg-U-Rak Tear Drop Beams

Length	Part Number	Std. Options	Wt.
48"	RB-S321-250-048.00	0002-00-72-0	12.7
	RB-S321-300-048.00	0002-00-72-0	13.9
	RB-S321-355-048.00	0002-00-72-0	15.0
	RB-L321-410-048.00	0002-00-72-0	14.6
	RB-S321-410-048.00	0002-00-72-0	16.1
	RB-S321-465-048.00	0002-00-72-0	17.2
	RB-S321-500-048.00	0002-00-72-0	17.8
	RB-S321-550-048.00	0002-00-73-0	19.7
	RB-S321-600-048.00	0002-00-73-0	20.9
52"	RB-S321-250-052.00	0002-00-72-0	13.5
	RB-S321-300-052.00	0002-00-72-0	14.8
	RB-S321-355-052.00	0002-00-72-0	16.0
	RB-L321-410-052.00	0002-00-72-0	15.5
	RB-S321-410-052.00	0002-00-72-0	17.2
	RB-S321-465-052.00	0002-00-72-0	18.4
	RB-S321-500-052.00	0002-00-72-0	19.0
	RB-S321-550-052.00	0002-00-73-0	21.0
	RB-S321-600-052.00	0002-00-73-0	22.3
56"	RB-S321-250-056.00	0002-00-72-0	14.3
	RB-S321-300-056.00	0002-00-72-0	15.7
	RB-S321-355-056.00	0002-00-72-0	17.0
	RB-L321-410-056.00	0002-00-72-0	16.5
	RB-S321-410-056.00	0002-00-72-0	18.3
	RB-S321-465-056.00	0002-00-72-0	19.6
	RB-S321-500-056.00	0002-00-72-0	20.2
	RB-S321-550-056.00	0002-00-73-0	22.3
	RB-S321-600-056.00	0002-00-73-0	23.7
60"	RB-S321-250-060.00	0002-00-72-0	15.0
	RB-S321-300-060.00	0002-00-72-0	16.6
	RB-S321-355-060.00	0002-00-72-0	17.9
	RB-L321-410-060.00	0002-00-72-0	17.4
	RB-S321-410-060.00	0002-00-72-0	19.3
	RB-S321-465-060.00	0002-00-72-0	20.7
	RB-S321-500-060.00	0002-00-72-0	21.4
	RB-S321-550-060.00	0002-00-73-0	23.6
	RB-S321-600-060.00	0002-00-73-0	25.1

Length	Part Number	Std. Options	Wt.
64"	RB-S321-250-064.00	0002-00-72-0	15.8
	RB-S321-300-064.00	0002-00-72-0	17.4
	RB-S321-355-064.00	0002-00-72-0	18.9
	RB-L321-410-064.00	0002-00-72-0	18.4
	RB-S321-410-064.00	0002-00-72-0	20.4
	RB-S321-465-064.00	0002-00-72-0	21.9
	RB-S321-500-064.00	0002-00-72-0	22.7
	RB-S321-550-064.00	0002-00-73-0	24.9
	RB-S321-600-064.00	0002-00-73-0	26.5
68"	RB-S321-250-068.00	0002-00-72-0	16.6
	RB-S321-300-068.00	0002-00-72-0	18.3
	RB-S321-355-068.00	0002-00-72-0	19.9
	RB-L321-410-068.00	0002-00-72-0	19.3
	RB-S321-410-068.00	0002-00-72-0	21.5
	RB-S321-465-068.00	0002-00-72-0	23.1
	RB-S321-500-068.00	0002-00-72-0	23.9
	RB-S321-550-068.00	0002-00-73-0	26.2
	RB-S321-600-068.00	0002-00-73-0	27.9
72"	RB-S321-250-072.00	0002-00-72-0	17.4
	RB-S321-300-072.00	0002-00-72-0	19.2
	RB-S321-355-072.00	0002-00-72-0	20.9
	RB-L321-410-072.00	0002-00-72-0	20.3
	RB-S321-410-072.00	0002-00-72-0	22.5
	RB-S321-465-072.00	0002-00-72-0	24.2
	RB-S321-500-072.00	0002-00-72-0	25.1
	RB-S321-550-072.00	0002-00-73-0	27.5
	RB-S321-600-072.00	0002-00-73-0	29.3
76"	RB-S321-250-076.00	0002-00-72-0	18.2
	RB-S321-300-076.00	0002-00-72-0	20.1
	RB-S321-355-076.00	0002-00-72-0	21.9
	RB-L321-410-076.00	0002-00-72-0	21.2
	RB-S321-410-076.00	0002-00-72-0	23.6
	RB-S321-465-076.00	0002-00-72-0	25.4
	RB-S321-500-076.00	0002-00-72-0	26.3
	RB-S321-550-076.00	0002-00-73-0	28.8
	RB-S321-600-076.00	0002-00-73-0	30.7
RB-S321-650-076.00	0002-00-73-0	32.3	



Pallet Rack Product Guide

Ridg-U-Rak Tear Drop Beams

Length	Part Number	Std. Options	Wt.
80"	RB-S321-250-080.00	0002-00-72-0	19.0
	RB-S321-300-080.00	0002-00-72-0	21.0
	RB-S321-355-080.00	0002-00-72-0	22.8
	RB-L321-410-080.00	0002-00-72-0	22.2
	RB-S321-410-080.00	0002-00-72-0	24.7
	RB-S321-465-080.00	0002-00-72-0	26.6
	RB-S321-500-080.00	0002-00-72-0	27.5
	RB-S321-550-080.00	0002-00-73-0	30.1
	RB-S321-600-080.00	0002-00-73-0	32.1
	RB-S321-650-080.00	0002-00-73-0	33.8
84"	RB-S321-250-084.00	0002-00-72-0	19.8
	RB-S321-300-084.00	0002-00-72-0	21.9
	RB-S321-355-084.00	0002-00-72-0	23.8
	RB-L321-410-084.00	0002-00-72-0	23.1
	RB-S321-410-084.00	0002-00-72-0	25.8
	RB-S321-465-084.00	0002-00-72-0	27.7
	RB-S321-500-084.00	0002-00-72-0	28.7
	RB-S321-550-084.00	0002-00-73-0	31.4
	RB-S321-600-084.00	0002-00-73-0	33.5
	RB-S321-650-084.00	0002-00-73-0	35.3
88"	RB-S321-250-088.00	0002-00-72-0	20.5
	RB-S321-300-088.00	0002-00-72-0	22.7
	RB-S321-355-088.00	0002-00-72-0	24.8
	RB-L321-410-088.00	0002-00-72-0	24.1
	RB-S321-410-088.00	0002-00-72-0	26.8
	RB-S321-465-088.00	0002-00-72-0	28.9
	RB-S321-500-088.00	0002-00-72-0	30.0
	RB-S321-550-088.00	0002-00-73-0	32.7
	RB-S321-600-088.00	0002-00-73-0	34.9
	RB-S321-650-088.00	0002-00-73-0	36.8
92"	RB-S321-250-092.00	0002-00-72-0	21.3
	RB-S321-300-092.00	0002-00-72-0	23.6
	RB-S321-355-092.00	0002-00-72-0	25.8
	RB-L321-410-092.00	0002-00-72-0	25.5
	RB-S321-410-092.00	0002-00-72-0	27.9
	RB-S321-465-092.00	0002-00-72-0	30.1
	RB-S321-500-092.00	0002-00-72-0	31.2
	RB-S321-550-092.00	0002-00-73-0	34.0
	RB-S321-600-092.00	0002-00-73-0	36.3
	RB-S321-650-092.00	0002-00-73-0	38.2

Length	Part Number	Std. Options	Wt.
96"	RB-S321-250-096.00	0002-00-72-0	22.1
	RB-S321-300-096.00	0002-00-72-0	24.5
	RB-S321-355-096.00	0002-00-72-0	26.8
	RB-L321-410-096.00	0002-00-72-0	26.4
	RB-S321-410-096.00	0002-00-72-0	29.0
	RB-S321-465-096.00	0002-00-72-0	31.2
	RB-S321-500-096.00	0002-00-72-0	32.4
	RB-S321-550-096.00	0002-00-73-0	35.3
	RB-S321-600-096.00	0002-00-73-0	37.7
	RB-S321-650-096.00	0002-00-73-0	39.7
RB-R321-650-096.00	0002-00-73-0	44.1	
100"	RB-S321-250-100.00	0002-00-72-0	22.9
	RB-S321-300-100.00	0002-00-72-0	25.4
	RB-S321-355-100.00	0002-00-72-0	27.7
	RB-L321-410-100.00	0002-00-72-0	26.9
	RB-S321-410-100.00	0002-00-72-0	30.1
	RB-S321-465-100.00	0002-00-72-0	32.4
	RB-S321-500-100.00	0002-00-72-0	33.6
	RB-S321-550-100.00	0002-00-73-0	36.6
	RB-S321-600-100.00	0002-00-73-0	39.1
	RB-S321-650-100.00	0002-00-73-0	41.2
RB-R321-650-100.00	0002-00-73-0	45.7	
102"	RB-S321-250-102.00	0002-00-72-0	23.3
	RB-S321-300-102.00	0002-00-72-0	25.9
	RB-S321-355-102.00	0002-00-72-0	28.2
	RB-L321-410-102.00	0002-00-72-0	27.4
	RB-S321-410-102.00	0002-00-72-0	30.6
	RB-S321-465-102.00	0002-00-72-0	33.0
	RB-S321-500-102.00	0002-00-72-0	34.2
	RB-S321-550-102.00	0002-00-73-0	37.2
	RB-S321-600-102.00	0002-00-73-0	39.8
	RB-S321-650-102.00	0002-00-73-0	41.9
RB-R321-650-102.00	0002-00-73-0	46.6	



Pallet Rack Product Guide

Ridg-U-Rak Tear Drop Beams

Length	Part Number	Std. Options	Wt.
108"	RB-S321-250-108.00	0002-00-72-0	24.5
	RB-S321-300-108.00	0002-00-72-0	27.2
	RB-S321-355-108.00	0002-00-72-0	29.7
	RB-L321-410-108.00	0002-00-72-0	28.8
	RB-S321-410-108.00	0002-00-72-0	32.2
	RB-S321-465-108.00	0002-00-72-0	34.7
	RB-S321-500-108.00	0002-00-72-0	36.0
	RB-S321-550-108.00	0002-00-73-0	39.2
	RB-S321-600-108.00	0002-00-73-0	41.9
	RB-S321-650-108.00	0002-00-73-0	44.2
	RB-R321-650-108.00	0002-00-73-0	49.1
	112"	RB-S321-300-112.00	0002-00-72-0
RB-S321-355-112.00		0002-00-72-0	30.7
RB-L321-410-112.00		0002-00-72-0	29.8
RB-S321-410-112.00		0002-00-72-0	33.3
RB-S321-465-112.00		0002-00-72-0	35.9
RB-S321-500-112.00		0002-00-72-0	37.3
RB-S321-550-112.00		0002-00-73-0	40.4
RB-S321-600-112.00		0002-00-73-0	43.3
RB-S321-650-112.00		0002-00-73-0	45.6
RB-R321-650-112.00	0002-00-73-0	50.7	
116"	RB-S321-300-116.00	0002-00-72-0	29.0
	RB-S321-355-116.00	0002-00-72-0	31.7
	RB-L321-410-116.00	0002-00-72-0	30.7
	RB-S321-410-116.00	0002-00-72-0	34.4
	RB-S321-465-116.00	0002-00-72-0	37.1
	RB-S321-500-116.00	0002-00-72-0	38.5
	RB-S321-550-116.00	0002-00-73-0	41.7
	RB-S321-600-116.00	0002-00-73-0	44.7
	RB-S321-650-116.00	0002-00-73-0	47.1
RB-R321-650-116.00	0002-00-73-0	52.4	
120"	RB-S321-300-120.00	0002-00-72-0	29.8
	RB-S321-355-120.00	0002-00-72-0	32.7
	RB-L321-410-120.00	0002-00-72-0	31.7
	RB-S321-410-120.00	0002-00-72-0	35.4
	RB-S321-465-120.00	0002-00-72-0	38.2
	RB-S321-500-120.00	0002-00-72-0	39.7
	RB-S321-550-120.00	0002-00-73-0	43.0
	RB-S321-600-120.00	0002-00-73-0	46.1
	RB-S321-650-120.00	0002-00-73-0	48.6
RB-R321-650-120.00	0002-00-73-0	54.1	

Length	Part Number	Std. Options	Wt.
124"	RB-S321-355-124.00	0002-00-72-0	33.6
	RB-L321-410-124.00	0002-00-72-0	32.6
	RB-S321-410-124.00	0002-00-72-0	36.5
	RB-S321-465-124.00	0002-00-72-0	39.4
	RB-S321-500-124.00	0002-00-72-0	40.9
	RB-S321-550-124.00	0002-00-73-0	44.3
	RB-S321-600-124.00	0002-00-73-0	47.5
	RB-S321-650-124.00	0002-00-73-0	50.1
	RB-R321-650-124.00	0002-00-73-0	55.7
	128"	RB-S321-355-128.00	0002-00-72-0
RB-L321-410-128.00		0002-00-72-0	33.5
RB-S321-410-128.00		0002-00-72-0	37.6
RB-S321-465-128.00		0002-00-72-0	40.6
RB-S321-500-128.00		0002-00-72-0	42.1
RB-S321-550-128.00		0002-00-73-0	45.6
RB-S321-600-128.00		0002-00-73-0	48.8
RB-S321-650-128.00	0002-00-73-0	51.6	
RB-R321-650-128.00	0002-00-73-0	57.4	
132"	RB-S321-355-132.00	0002-00-72-0	35.6
	RB-L321-410-132.00	0002-00-72-0	34.5
	RB-S321-410-132.00	0002-00-72-0	38.7
	RB-S321-465-132.00	0002-00-72-0	41.7
	RB-S321-500-132.00	0002-00-72-0	43.3
	RB-S321-550-132.00	0002-00-73-0	46.9
	RB-S321-600-132.00	0002-00-73-0	50.2
	RB-S321-650-132.00	0002-00-73-0	53.1
	RB-R321-650-132.00	0002-00-73-0	59.1
	136"	RB-S321-355-136.00	0002-00-72-0
RB-L321-410-136.00		0002-00-72-0	35.4
RB-S321-410-136.00		0002-00-72-0	39.7
RB-S321-465-136.00		0002-00-72-0	42.9
RB-S321-500-136.00		0002-00-72-0	44.6
RB-S321-550-136.00		0002-00-73-0	48.2
RB-S321-600-136.00		0002-00-73-0	51.6
RB-S321-650-136.00		0002-00-73-0	54.5
RB-R321-650-136.00		0002-00-73-0	60.7
140"		RB-L321-410-140.00	0002-00-72-0
	RB-S321-410-140.00	0002-00-72-0	40.8
	RB-S321-465-140.00	0002-00-72-0	44.1
	RB-S321-500-140.00	0002-00-72-0	45.8
	RB-S321-550-140.00	0002-00-73-0	49.5
	RB-S321-600-140.00	0002-00-73-0	53.0
	RB-S321-650-140.00	0002-00-73-0	56.0
	RB-R321-650-140.00	0002-00-73-0	62.4



Pallet Rack Product Guide

Ridg-U-Rak Tear Drop Beams

Length	Part Number	Std. Options	Wt.
144"	RB-L32I-410-144.00	0002-00-72-0	37.3
	RB-S32I-410-144.00	0002-00-72-0	41.9
	RB-S32I-465-144.00	0002-00-72-0	45.2
	RB-S32I-500-144.00	0002-00-72-0	47.0
	RB-S32I-550-144.00	0002-00-73-0	50.8
	RB-S32I-600-144.00	0002-00-73-0	54.4
	RB-S32I-650-144.00	0002-00-73-0	57.5
	RB-R32I-650-144.00	0002-00-73-0	64.0
148"	RB-L32I-410-148.00	0002-00-72-0	38.3
	RB-S32I-410-148.00	0002-00-72-0	43.0
	RB-S32I-465-148.00	0002-00-72-0	46.4
	RB-S32I-500-148.00	0002-00-72-0	48.2
	RB-S32I-550-148.00	0002-00-73-0	52.1
	RB-S32I-600-148.00	0002-00-73-0	55.8
	RB-S32I-650-148.00	0002-00-73-0	59.0
	RB-R32I-650-148.00	0002-00-73-0	65.7
152"	RB-L32I-410-152.00	0002-00-72-0	39.2
	RB-S32I-410-152.00	0002-00-72-0	44.0
	RB-S32I-465-152.00	0002-00-72-0	47.6
	RB-S32I-500-152.00	0002-00-72-0	49.4
	RB-S32I-550-152.00	0002-00-73-0	53.4
	RB-S32I-600-152.00	0002-00-73-0	57.2
	RB-S32I-650-152.00	0002-00-73-0	60.5
	RB-R32I-650-152.00	0002-00-73-0	67.4
156"	RB-L32I-410-156.00	0002-00-72-0	40.2
	RB-S32I-410-156.00	0002-00-72-0	45.1
	RB-S32I-465-156.00	0002-00-72-0	48.8
	RB-S32I-500-156.00	0002-00-72-0	50.6
	RB-S32I-550-156.00	0002-00-73-0	54.7
	RB-S32I-600-156.00	0002-00-73-0	58.6
	RB-S32I-650-156.00	0002-00-73-0	62.0
	RB-R32I-650-156.00	0002-00-73-0	69.0

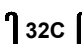




Pallet Rack Product Guide

Ridg-U-Rak Slotted Pallet rack

Upright Frame Capacities



Unsupported Length	 32C (3X2-1/4)			 33C (3X3)				 43C (4X3)		
	UF-S32C	UF-M32C	UF-H32C	UF-S33C	UF-R33C	UF-M33C	UF-Y33C	UF-H33C	UF-M43C	UF-H43C
36"	24,700	29,800	36,400	29,800	35,500	40,500	44,000	49,100	51,700	63,200
42"	23,500	27,900	34,100	28,100	33,500	37,100	41,300	45,000	49,400	61,100
48"	22,100	26,900	32,800	26,200	31,100	35,300	38,300	42,700	48,000	58,700
54"	20,700	25,700	31,300	24,200	28,700	33,300	35,100	40,400	46,600	55,900
60"	19,000	23,200	28,200	22,000	26,000	29,300	31,800	35,400	43,400	53,000
72"	15,700	19,100	23,200	17,700	20,800	23,300	25,200	28,100	38,100	46,500
84"	12,400	15,200	18,500	13,800	16,100	17,900	19,400	21,600	32,600	39,700
96"	9,900	12,300	14,800	10,900	12,700	14,100	15,300	17,000	27,200	33,100
108"	8,000	10,000	12,100	8,900	10,300	11,400	12,300	13,700	22,200	26,900

Consult with factory for vertical beam-to-beam spacings greater than 108"

The Frame Capacity Chart gives allowable loads based on the specified "Unsupported Length" of the columns. Values shown are in full compliance with the current RMI Specifications. The loads on upright frames accumulate from top to bottom, therefore, the unsupported length and the column load below each beam level should be checked to determine the worst-case scenario. The capacities shown in this table are for static load conditions only. For other special conditions such as seismic or wind loadings, consult with Ridg-U-Rak sales.





Pallet Rack Product Guide

Ridg-U-Rak Slotted Pallet Rack Upright Frame Part Numbers Nomenclature

DESCRIPTION FIELDS						OPTION FIELDS									
ITEM FAMILY		MATERIAL	COLUMN PROFILE		FRAME HEIGHT		FRAME DEPTH	BRACE OPTION	COLOR		REINFORCEMENT		FLOOR PAD	DEFLECTOR	SPECIAL
UF	-	S	33C	-	12.00	-	48.00	A	01	-	00	-	01	0	0

CATALOG PART NUMBER

OPTIONS (Standard Shown)
(Catalog Parts are Standard)

ITEM FAMILY	UF Upright Frame
MATERIAL	S, R, M, Y, H Material Thickness Indicator
COLUMN PROFILE	32C, 33C, 43C available sections
FRAME HEIGHT	Height in Feet with two decimal places (ie. 12.33 is 12'-4") Heights allowed in 4 inch increments only (ie. 12.00, 12.33, 12.67, etc.)
FRAME DEPTH	Depth of Frame in inches (ie. 42.00 is 42") Depths should always be full one inch increments
BRACE OPTION	~A~ is standard brace option
COLOR	01 is Standard Paint Color --> Forest Green See Paint Option Table for available alternate colors and pricing
REINFORCEMENT	00 is Standard (no reinforcement) See Column Reinforcement Options (Column Sentry)
FLOOR PAD OPTION	01 is Standard --> 1/8 x 3-3/8 x 4-3/4" plate with two holes See Floor Pad Options for available sizes and pricing
DEFLECTOR OPTION	0 is Standard (no deflector) See Deflector Options
SPECIAL	Standard Option is ~0~ which denotes nothing special required

Paint Finish

- All Uprights are painted Forest Green (01) unless otherwise noted
- For Standard Optional colors that are available, please refer to the Paint Options on page 30.
- For custom colors, contact your Regional Sales Manager or Inside Sales (paint chip required)
- All finishes are powder coat paint

General Notes

- For Upright Sizes not shown in tables, contact your Regional Sales Manager or the Sales Dept.
- Use only 4" increments when specifying intermediate frame heights
- Weights shown are approximate
- Standard Floor Pads require only one anchor per pad, either hole can be used
- The holes in the Standard Floor pad (per floor pad) are too close for two anchors to be used properly. The second hole is an alternate should you find an obstruction in the floor when using the first selection hole. If two anchors per floor pad are required, choose a larger floor pad (refer to the Floor Pad options)

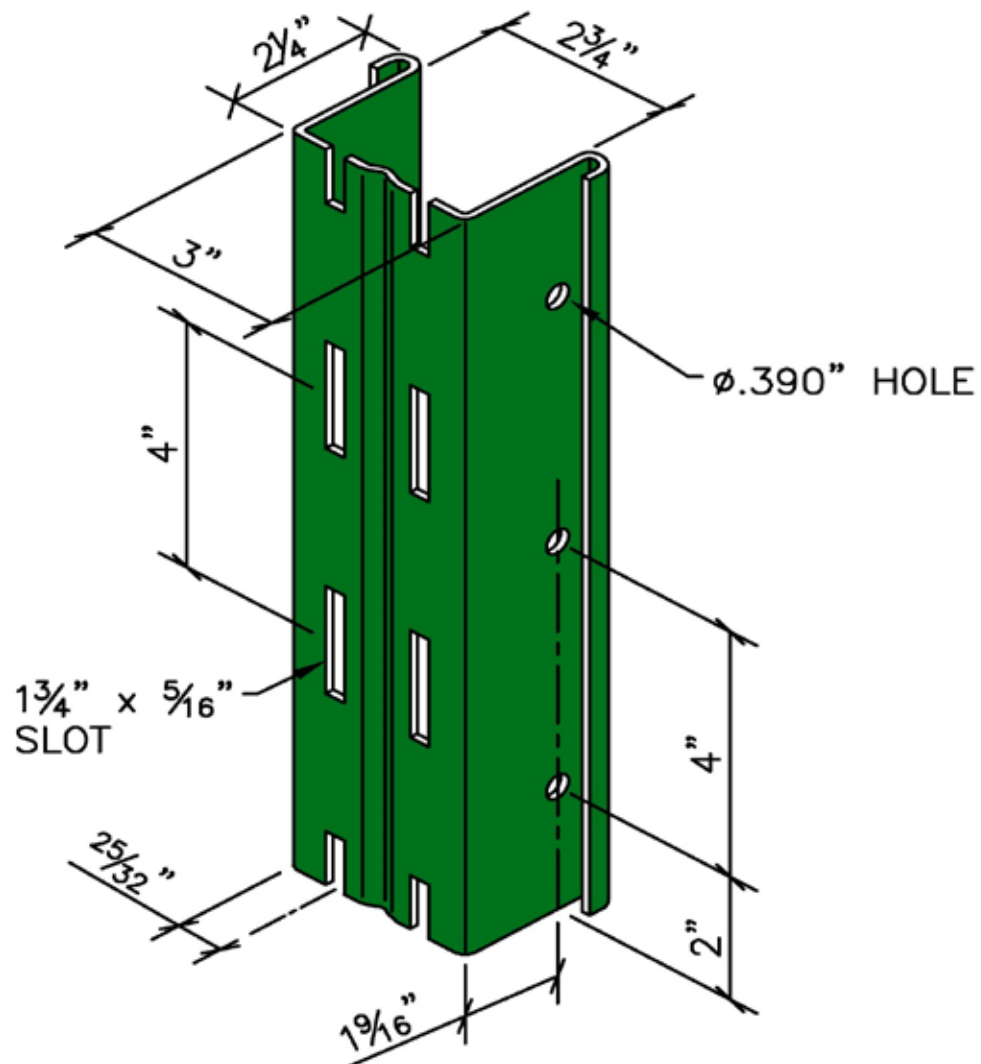


Pallet Rack Product Guide

Pre-1990 original ~P~ style column with .390" side holes that are located near the rear of the column and are partly obscured by the return flange.

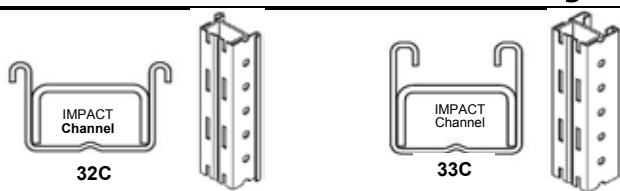
WARNING!

The side hole size and location punching pattern is not compatible with current Row Spacers, Bolt on Load Stops, bolt on Column Guards, any accessory that utilizes the side hole of the column for attachment



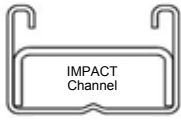



Pallet Rack Product Guide

Column Impact Protection Options		
SLOTTED Column Sentry		
		
Columns Reinforced	Reinforcing OPTIONS	Inches of Column Sentry Height Above Floor
Front Column Only 32C and 33C Style Frames	Option # 01	48
	Option # 08	60
	Option # 10	72
	Option # 13	84
	Option # 16	96
	Option # 19	108
	Option # 22	120
	Option # 25	132
	Option # 28	144
	Option # 31	156
	Option # 34	168
Rear Column Only 32C and 33C Style Frames	Option # 05	48
	Option # 09	60
	Option # 12	72
	Option # 15	84
	Option # 18	96
	Option # 21	108
	Option # 24	120
	Option # 27	132
	Option # 30	144
	Option # 33	156
	Option # 36	168
Both Columns 32C and 33C Style Frames	Option # 02	48
	Option # 07	60
	Option # 11	72
	Option # 14	84
	Option # 17	96
	Option # 20	108
	Option # 23	120
	Option # 26	132
	Option # 29	144
	Option # 32	156
	Option # 35	168
Option # 38	180	
Option # 41	192	



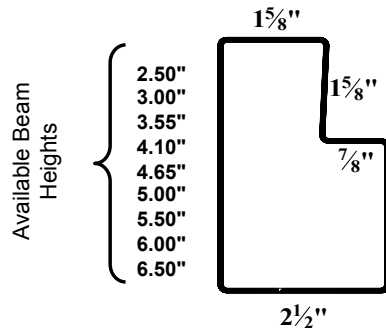
Pallet Rack Product Guide

Column Impact Protection Options		
SLOTTED Column Sentry		
 		
Columns Reinforced	Reinforcing OPTIONS	Inches of Column Sentry Height Above Floor
Front Column Only 43C Style Frames	Option # 01	48
	Option # 08	60
	Option # 10	72
	Option # 13	84
	Option # 16	96
	Option # 19	108
	Option # 22	120
	Option # 25	132
	Option # 28	144
	Option # 31	156
	Option # 34	168
Rear Column Only 43C Style Frames	Option # 05	48
	Option # 09	60
	Option # 12	72
	Option # 15	84
	Option # 18	96
	Option # 21	108
	Option # 24	120
	Option # 27	132
	Option # 30	144
	Option # 33	156
	Option # 36	168
Both Columns for 43C Style Frames	Option # 02	48
	Option # 07	60
	Option # 11	72
	Option # 14	84
	Option # 17	96
	Option # 20	108
	Option # 23	120
	Option # 26	132
	Option # 29	144
	Option # 32	156
	Option # 35	168
Option # 38	180	
Option # 41	192	



Pallet Rack Product Guide

Ridg-U-Rak Slotted Pallet Rack Beams

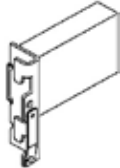
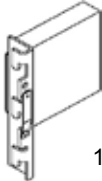


Beam Capacities

- Stated beam capacities are the non-seismic ratings per pair (per shelf level). Seismic conditions may reduce the capacity, contact your Regional Sales Manager or Ridg-U-Rak Sales if Seismic is a requirement.
- Beam capacities are based on uniformly distributed loads
- Beam design capacity ratings conform to the most current RMI Specifications
- All beams over 114" in length should use at least one flanged, tek-screwed or lock-in cross bar located at mid-span. (not required when using outside waterfall wire decking)

Beam Connector-to-Frame Column Load Limitations

- In no case should any load per level exceed the following limitations
- Capacities listed with an * in the price tables indicate that the conditions below may govern

Upright Frame Model	Maximum Beam Capacities (per pair)	
	2-Lug Hook option #02	3-Lug Hook Option #03
UF-S	9,000 lbs	13,000 lbs
UF-R	13,500 lbs	16,000 lbs
UF-M	12,000 lbs	18,000 lbs
UF-Y	13,000 lbs	19,500 lbs
UF-H	15,000 lbs	22,500 lbs
	Hook Option # 02 is standard for beams heights 2.50", 3.00", 3.55", 4.10", 5.00", 5.50", 6.00"	Hook Option # 03 is standard for beams height of 6.50"
	Connector Option # 02  6-3/4"	Connector Option # 03  10-1/2"

NOTE: If you have any questions concerning the above chart, please contact your Regional Sales Manager or call the Ridg-U-Rak Sales Department.



Pallet Rack Product Guide

Ridg-U-Rak Slotted Pallet Rack Beam Part Number Nomenclature

DESCRIPTION FIELDS									OPTION FIELDS							
ITEM FAMILY		MATERIAL	APPLICABLE COLUMN PROFILE		BEAM HEIGHT		BEAM LENGTH	PALLET STOP	STEP PUNCH PATTERN	PAIN		WELD DOWN		HOOK OPTION		SPECIAL
RB	-	S	32P	-	355	-	096.00	0	0	02	-	02	-	02	-	0
CATALOG PART NUMBER									OPTIONS (Standard Shown) (Catalog Parts are Standard)							

ITEM FAMILY	RB Rolled Beam
MATERIAL	L, S, R Material Thickness Indicator
APPLICABLE COLUMN PROFILE	32P is Standard for all High Performance Ridg-U-Rak Systems
BEAM HEIGHT	250, 300, 355, 410, 465, 500, 550, 600, 650 (ex. 355 is 3.55" Beam Height)
BEAM LENGTH	Length in inches (ex. 096.00 is length for a 96" Beam) See Beam Identification Sheet ***
PALLET STOP	0 is Standard (no pallet stop) See Pallet Stop Option Table
STEP PUNCH PATTERN	0 is no-punching "standard", "M" is for 2-pallets, "R" is for 3-pallets (see next pg.)
PAINT OPTION	02 is Standard --> Safety Orange See Paint Option Table for available alternate colors and pricing
WELD DOWN	02 is Standard --> 1/8" weld down NOTE: weld down are in sixteenth inch increments 02 = 2/16 = 1/8"
HOOK OPTION	02 is 2-Lug (Standard for 250, 300, 355, 410, 465, 500, 550, 600 beam heights) 03 is 3-Lug (Standard for 650 beam height)
SPECIAL	0 is Standard (no special options) Contact your Regional Sales Manager for any special requirement

Paint Finish

- All Beams are painted Safety Orange (02), unless otherwise noted
- For Alternate Colors available see Paint Options Table on page 30
- For custom colors contact your Regional Sales Manager or the Sales Dept.
- All finishes are powder coat paint

General Notes

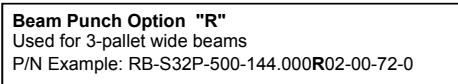
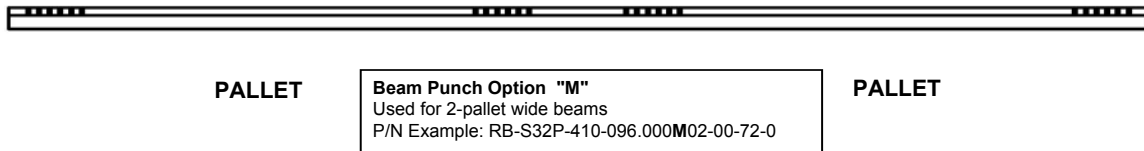
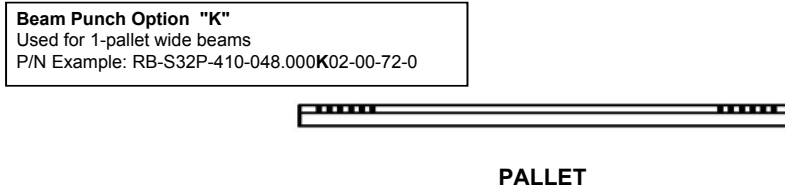
- All weights are for each individual beam (not per pair)
- Intermediate beam lengths are available as needed

*** **NOTE: A Beam Identification Sheet is required when ordering any Slotted style beam. Orders for Slotted Style beams will not be processed with-out the Beam Identification Sheet sent in with the order.**



Pallet Rack Product Guide

STANDARD Beam Step Punch Patterns for "Tabbed" and "Drop-in" Cross Bars



NOTE: The above standard punching patterns are available at the same price as non-punched beams. Custom punching patterns are available, however, additional cost and longer lead times may be incurred. Please contact your Regional Manager for pricing.



Pallet Rack Product Guide

SLOTTED BEAM IDENTIFICATION BEAM SHEET

AS ONE OF THE INDUSTRY FOUNDERS, RIDG-U-RAK HAS BEEN MANUFACTURING STORAGE RACK FOR OVER 65 YEARS. LONG BEFORE THERE WERE ANY CONVENTIONAL BEAM LENGTH STANDARDS, RIDG-U-RAK'S BEAM LENGTH DID NOT INCLUDE THE CONNECTOR HOOK THICKNESS (A 96" BEAM WAS 96³/₈" OVER THE HOOKS). STARTING JANUARY 2000, BEAM LENGTHS HAVE INCLUDED THE CONNECTOR THICKNESS (A 96" BEAM IS NOW 96" OVER THE HOOKS). IT IS NOW NECESSARY TO CONFIRM THE EXACT BEAM LENGTH TO INSURE COMPATIBILITY WITH EXISTING RIDG-U-RAK SYSTEMS.

ORDERS WILL NOT BE PROCESSED WITHOUT A BEAM SHEET (NOT REQUIRED FOR "TEARDROP" STYLE)

DISTRIBUTOR

CUSTOMER

P.O. #

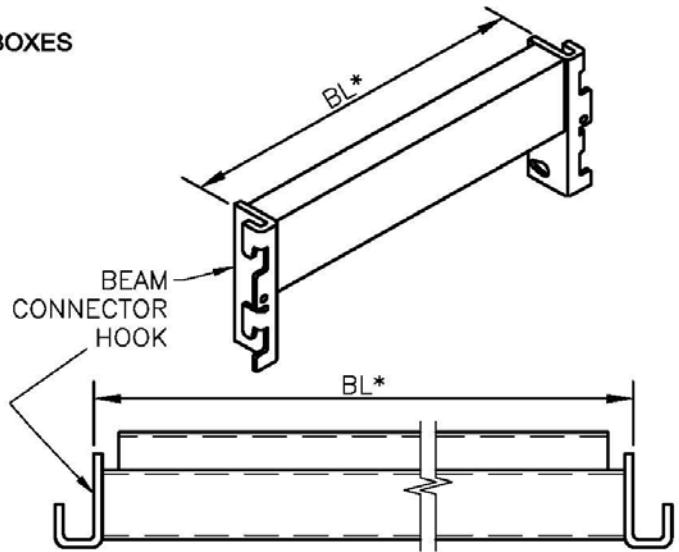
PLEASE MEASURE CAREFULLY AND FILL IN THE BOXES
ONLY MEASURE UNDAMAGED PARTS

1. BEAM LENGTH (BL)*

INCHES

* MEASUREMENT TO INCLUDE THE CONNECTOR HOOK THICKNESS AT EACH END OF THE BEAM

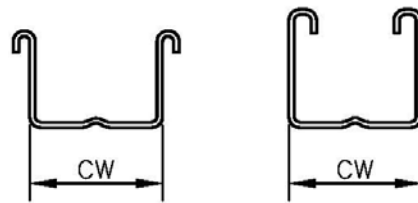
USUALLY THIS DIMENSION IS EITHER A NOMINAL LENGTH OR ³/₈" LONGER THAN NOMINAL (EXAMPLE: 96" OR 96³/₈")



2. FRAME COLUMN WIDTH (CW)

INCHES

THIS DIMENSION IS EITHER 3" OR 4"
(PLEASE CIRCLE COLUMN STYLE TO THE RIGHT)

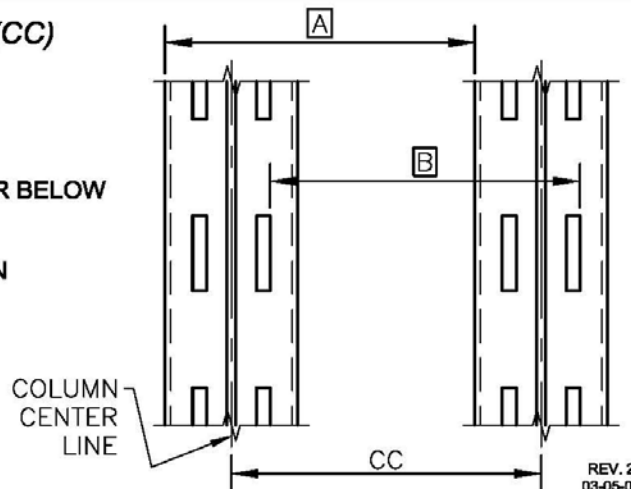


3. COLUMN CENTER TO COLUMN CENTER (CC)

INCHES

THIS DIMENSION IS BEST MEASURED JUST ABOVE OR BELOW AN EXISTING BEAM LEVEL USING EITHER:

- A** - LEFT SIDE OF COLUMN TO LEFT SIDE OF COLUMN
OR
- B** - RIGHT SIDE OF RIGHT SLOT TO RIGHT SIDE OF RIGHT SLOT



SIGNED BY

DATE

REV. 2
03-05-09



Pallet Rack Product Guide

NON-Seismic rating

Beam Capacities (Per Pair of Beams) Slotted style											
Beam Profile											
Beam Length (in.)	S250	S300	S355	L410	S410	S465	S500	S550	S600	S650	R650
48	5700	7500	9760*	10810*	12270*	15020*	16890*	19720*	22750*	25940*	29450*
52	5250	6910	8990	9970*	11310*	13850*	15570*	18180*	20970*	23910*	27140*
56	4870	6410	8340	9240*	10490*	12840*	14440*	16860*	19440*	22180	25170*
60	4530	5980	7770	8620	9780*	11970*	13460*	15710*	18120*	20670	23460*
64	3980	5600	7280	8070	9150*	11210*	12600*	14710*	16970*	19350	21970
68	3520	5260	6840	7580	8600	10530*	11840*	13830*	15950*	18190	20650
72	3130	4820	6460	7150	8120	9940*	11170*	13050*	15050*	17160	19480
76	2810	4320	6110	6770	7680	9400*	10570*	12350*	14240*	16240	18430
80	2530	3900	5800	6420	7290	8920	10030*	11720*	13510*	15410	17490
84	2300	3530	5330	6110	6930	8490	9540*	11150*	12850*	14660	16640
88	2090	3210	4850	5830	6610	8100	9100*	10630*	12260*	13980	15870
92	1910	2940	4440	5570	6320	7740	8700	10160*	11710*	13360	15160
96	1750	2690	4070	5200	5830	7410	8330	9720*	11210*	12790	14520
100	1610	2480	3750	4790	5370	7100	7990	9330*	10750*	12270	13920
104	1490	2290	3460	4420	4960	6820	7670	8960	10330*	11780	13370
108	1380	2120	3210	4100	4600	6320	7380	8620	9940*	11340	12870
112		1970	2980	3810	4270	5870	7070	8300	9580*	10920	12400
116		1840	2770	3540	3980	5470	6580	8010	9240*	10540	11960
120		1720	2590	3310	3710	5110	6140	7740	8920	10180	11550
124			2420	3100	3470	4780	5750	7340	8630	9840	11170
128			2270	2900	3260	4480	5390	6890	8350	9530	10810
132			2140	2730	3060	4210	5060	6470	8090	9230	10480
136			2010	2570	2880	3960	4770	6090	7620	8950	10160
140				2420	2720	3730	4500	5740	7190	8690	9860
144				2290	2570	3530	4250	5420	6790	8360	9370
148				2160	2430	3340	4020	5130	6420	7910	8870
152				2050	2300	3160	3800	4860	6080	7490	8400
156				1940	2180	3000	3610	4610	5770	7110	7970

* These capacities per pair of beams may exceed the connector to frame limitation for hook and slot beams, Please refer the beam SLOTTED nomenclature page for verification.





Pallet Rack Product Guide

Ridg-U-Rak Slotted Beams

Length	Part Number	Std. Options	Wt.
48"	RB-S32P-250-048.00	0002-02-02-0	12.0
	RB-S32P-300-048.00	0002-02-02-0	13.2
	RB-S32P-355-048.00	0002-02-02-0	14.3
	RB-L32P-410-048.00	0002-02-02-0	13.9
	RB-S32P-410-048.00	0002-02-02-0	15.4
	RB-S32P-465-048.00	0002-02-02-0	16.5
	RB-S32P-500-048.00	0002-02-02-0	17.1
	RB-S32P-550-048.00	0002-02-02-0	18.2
	RB-S32P-600-048.00	0002-02-02-0	19.2
52"	RB-S32P-250-052.00	0002-02-02-0	12.8
	RB-S32P-300-052.00	0002-02-02-0	14.1
	RB-S32P-355-052.00	0002-02-02-0	15.3
	RB-L32P-410-052.00	0002-02-02-0	14.8
	RB-S32P-410-052.00	0002-02-02-0	16.5
	RB-S32P-465-052.00	0002-02-02-0	17.7
	RB-S32P-500-052.00	0002-02-02-0	18.3
	RB-S32P-550-052.00	0002-02-02-0	19.5
	RB-S32P-600-052.00	0002-02-02-0	20.6
56"	RB-S32P-250-056.00	0002-02-02-0	13.6
	RB-S32P-300-056.00	0002-02-02-0	15.0
	RB-S32P-355-056.00	0002-02-02-0	16.3
	RB-L32P-410-056.00	0002-02-02-0	15.8
	RB-S32P-410-056.00	0002-02-02-0	17.6
	RB-S32P-465-056.00	0002-02-02-0	18.9
	RB-S32P-500-056.00	0002-02-02-0	19.5
	RB-S32P-550-056.00	0002-02-02-0	20.8
	RB-S32P-600-056.00	0002-02-02-0	22.0
60"	RB-S32P-250-060.00	0002-02-02-0	14.3
	RB-S32P-300-060.00	0002-02-02-0	15.8
	RB-S32P-355-060.00	0002-02-02-0	17.2
	RB-L32P-410-060.00	0002-02-02-0	16.7
	RB-S32P-410-060.00	0002-02-02-0	18.6
	RB-S32P-465-060.00	0002-02-02-0	20.0
	RB-S32P-500-060.00	0002-02-02-0	20.7
	RB-S32P-550-060.00	0002-02-02-0	22.1
	RB-S32P-600-060.00	0002-02-02-0	23.4

Length	Part Number	Std. Options	Wt.
64"	RB-S32P-250-064.00	0002-02-02-0	15.1
	RB-S32P-300-064.00	0002-02-02-0	16.7
	RB-S32P-355-064.00	0002-02-02-0	18.2
	RB-L32P-410-064.00	0002-02-02-0	17.7
	RB-S32P-410-064.00	0002-02-02-0	19.7
	RB-S32P-465-064.00	0002-02-02-0	21.2
	RB-S32P-500-064.00	0002-02-02-0	22.0
	RB-S32P-550-064.00	0002-02-02-0	23.4
	RB-S32P-600-064.00	0002-02-02-0	24.8
68"	RB-S32P-250-068.00	0002-02-02-0	15.9
	RB-S32P-300-068.00	0002-02-02-0	17.6
	RB-S32P-355-068.00	0002-02-02-0	19.2
	RB-L32P-410-068.00	0002-02-02-0	18.6
	RB-S32P-410-068.00	0002-02-02-0	20.8
	RB-S32P-465-068.00	0002-02-02-0	22.4
	RB-S32P-500-068.00	0002-02-02-0	23.2
	RB-S32P-550-068.00	0002-02-02-0	24.7
	RB-S32P-600-068.00	0002-02-02-0	26.2
72"	RB-S32P-250-072.00	0002-02-02-0	16.7
	RB-S32P-300-072.00	0002-02-02-0	18.5
	RB-S32P-355-072.00	0002-02-02-0	20.2
	RB-L32P-410-072.00	0002-02-02-0	19.6
	RB-S32P-410-072.00	0002-02-02-0	21.8
	RB-S32P-465-072.00	0002-02-02-0	23.5
	RB-S32P-500-072.00	0002-02-02-0	24.4
	RB-S32P-550-072.00	0002-02-02-0	26.0
	RB-S32P-600-072.00	0002-02-02-0	27.6
76"	RB-S32P-250-076.00	0002-02-02-0	17.5
	RB-S32P-300-076.00	0002-02-02-0	19.4
	RB-S32P-355-076.00	0002-02-02-0	21.2
	RB-L32P-410-076.00	0002-02-02-0	20.5
	RB-S32P-410-076.00	0002-02-02-0	22.9
	RB-S32P-465-076.00	0002-02-02-0	24.7
	RB-S32P-500-076.00	0002-02-02-0	25.6
	RB-S32P-550-076.00	0002-02-02-0	27.2
	RB-S32P-600-076.00	0002-02-02-0	29.0
	RB-S32P-650-076.00	0002-02-03-0	32.1
RB-R32P-650-076.00	0002-02-03-0	35.5	



Pallet Rack Product Guide

Ridg-U-Rak Slotted Beams

Length	Part Number	Std. Options	Wt.
80"	RB-S32P-250-080.00	0002-02-02-0	18.3
	RB-S32P-300-080.00	0002-02-02-0	20.3
	RB-S32P-355-080.00	0002-02-02-0	22.1
	RB-L32P-410-080.00	0002-02-02-0	21.5
	RB-S32P-410-080.00	0002-02-02-0	24.0
	RB-S32P-465-080.00	0002-02-02-0	25.9
	RB-S32P-500-080.00	0002-02-02-0	26.8
	RB-S32P-550-080.00	0002-02-02-0	28.5
	RB-S32P-600-080.00	0002-02-02-0	30.4
	RB-S32P-650-080.00	0002-02-03-0	33.6
	RB-R32P-650-080.00	0002-02-03-0	37.2
84"	RB-S32P-250-084.00	0002-02-02-0	19.1
	RB-S32P-300-084.00	0002-02-02-0	21.2
	RB-S32P-355-084.00	0002-02-02-0	23.1
	RB-L32P-410-084.00	0002-02-02-0	22.4
	RB-S32P-410-084.00	0002-02-02-0	25.1
	RB-S32P-465-084.00	0002-02-02-0	27.0
	RB-S32P-500-084.00	0002-02-02-0	28.0
	RB-S32P-550-084.00	0002-02-02-0	29.8
	RB-S32P-600-084.00	0002-02-02-0	31.4
	RB-S32P-650-084.00	0002-02-03-0	35.1
	RB-R32P-650-084.00	0002-02-03-0	38.9
88"	RB-S32P-250-088.00	0002-02-02-0	19.8
	RB-S32P-300-088.00	0002-02-02-0	22.0
	RB-S32P-355-088.00	0002-02-02-0	24.1
	RB-L32P-410-088.00	0002-02-02-0	23.4
	RB-S32P-410-088.00	0002-02-02-0	26.1
	RB-S32P-465-088.00	0002-02-02-0	28.2
	RB-S32P-500-088.00	0002-02-02-0	29.3
	RB-S32P-550-088.00	0002-02-02-0	31.1
	RB-S32P-600-088.00	0002-02-02-0	33.2
	RB-S32P-650-088.00	0002-02-03-0	36.5
	RB-R32P-650-088.00	0002-02-03-0	40.5

Length	Part Number	Std. Options	Wt.
92"	RB-S32P-250-092.00	0002-02-02-0	20.6
	RB-S32P-300-092.00	0002-02-02-0	22.9
	RB-S32P-355-092.00	0002-02-02-0	25.1
	RB-L32P-410-092.00	0002-02-02-0	24.3
	RB-S32P-410-092.00	0002-02-02-0	27.2
	RB-S32P-465-092.00	0002-02-02-0	29.4
	RB-S32P-500-092.00	0002-02-02-0	30.5
	RB-S32P-550-092.00	0002-02-02-0	32.4
	RB-S32P-600-092.00	0002-02-02-0	34.6
	RB-S32P-650-092.00	0002-02-03-0	38.0
	RB-R32P-650-092.00	0002-02-03-0	42.2
96"	RB-S32P-250-096.00	0002-02-02-0	21.4
	RB-S32P-300-096.00	0002-02-02-0	23.8
	RB-S32P-355-096.00	0002-02-02-0	26.1
	RB-L32P-410-096.00	0002-02-02-0	25.7
	RB-S32P-410-096.00	0002-02-02-0	28.3
	RB-S32P-465-096.00	0002-02-02-0	30.5
	RB-S32P-500-096.00	0002-02-02-0	31.7
	RB-S32P-550-096.00	0002-02-02-0	33.6
	RB-S32P-600-096.00	0002-02-02-0	36.0
	RB-S32P-650-096.00	0002-02-03-0	39.5
	RB-R32P-650-096.00	0002-02-03-0	43.9
100"	RB-S32P-250-100.00	0002-02-02-0	22.2
	RB-S32P-300-100.00	0002-02-02-0	24.7
	RB-S32P-355-100.00	0002-02-02-0	27.0
	RB-L32P-410-100.00	0002-02-02-0	26.2
	RB-S32P-410-100.00	0002-02-02-0	29.4
	RB-S32P-465-100.00	0002-02-02-0	31.7
	RB-S32P-500-100.00	0002-02-02-0	32.9
	RB-S32P-550-100.00	0002-02-02-0	35.0
	RB-S32P-600-100.00	0002-02-02-0	37.4
	RB-S32P-650-100.00	0002-02-03-0	41.0
	RB-R32P-650-100.00	0002-02-03-0	45.5



Pallet Rack Product Guide

Ridg-U-Rak Slotted Beams

Length	Part Number	Std. Options	Wt.
102"	RB-S32P-250-102.00	0002-02-02-0	22.6
	RB-S32P-300-102.00	0002-02-02-0	25.2
	RB-S32P-355-102.00	0002-02-02-0	27.5
	RB-L32P-410-102.00	0002-02-02-0	26.7
	RB-S32P-410-102.00	0002-02-02-0	29.9
	RB-S32P-465-102.00	0002-02-02-0	32.3
	RB-S32P-500-102.00	0002-02-02-0	33.5
	RB-S32P-550-102.00	0002-02-02-0	35.6
	RB-S32P-600-102.00	0002-02-02-0	38.1
	RB-S32P-650-102.00	0002-02-03-0	41.7
	RB-R32P-650-102.00	0002-02-03-0	46.4
108"	RB-S32P-250-108.00	0002-02-02-0	23.8
	RB-S32P-300-108.00	0002-02-02-0	26.5
	RB-S32P-355-108.00	0002-02-02-0	29.0
	RB-L32P-410-108.00	0002-02-02-0	28.1
	RB-S32P-410-108.00	0002-02-02-0	31.5
	RB-S32P-465-108.00	0002-02-02-0	34.0
	RB-S32P-500-108.00	0002-02-02-0	35.3
	RB-S32P-550-108.00	0002-02-02-0	37.6
	RB-S32P-600-108.00	0002-02-02-0	39.6
	RB-S32P-650-108.00	0002-02-03-0	44.0
	RB-R32P-650-108.00	0002-02-03-0	48.9
112"	RB-S32P-250-112.00	0002-02-02-0	24.6
	RB-S32P-300-112.00	0002-02-02-0	27.4
	RB-S32P-355-112.00	0002-02-02-0	30.0
	RB-L32P-410-112.00	0002-02-02-0	29.1
	RB-S32P-410-112.00	0002-02-02-0	32.6
	RB-S32P-465-112.00	0002-02-02-0	35.2
	RB-S32P-500-112.00	0002-02-02-0	36.6
	RB-S32P-550-112.00	0002-02-02-0	38.9
	RB-S32P-600-112.00	0002-02-02-0	41.6
	RB-S32P-650-112.00	0002-02-03-0	45.4
	RB-R32P-650-112.00	0002-02-03-0	50.5

Length	Part Number	Std. Options	Wt.
116"	RB-S32P-250-116.00	0002-02-02-0	25.4
	RB-S32P-300-116.00	0002-02-02-0	28.3
	RB-S32P-355-116.00	0002-02-02-0	31.0
	RB-L32P-410-116.00	0002-02-02-0	30.0
	RB-S32P-410-116.00	0002-02-02-0	33.7
	RB-S32P-465-116.00	0002-02-02-0	36.4
	RB-S32P-500-116.00	0002-02-02-0	37.8
	RB-S32P-550-116.00	0002-02-02-0	40.2
	RB-S32P-600-116.00	0002-02-02-0	43.0
	RB-S32P-650-116.00	0002-02-03-0	46.9
	RB-R32P-650-116.00	0002-02-03-0	52.2
120"	RB-S32P-250-120.00	0002-02-02-0	26.1
	RB-S32P-300-120.00	0002-02-02-0	29.1
	RB-S32P-355-120.00	0002-02-02-0	32.0
	RB-L32P-410-120.00	0002-02-02-0	31.0
	RB-S32P-410-120.00	0002-02-02-0	34.7
	RB-S32P-465-120.00	0002-02-02-0	37.5
	RB-S32P-500-120.00	0002-02-02-0	39.0
	RB-S32P-550-120.00	0002-02-02-0	41.4
	RB-S32P-600-120.00	0002-02-02-0	44.4
	RB-S32P-650-120.00	0002-02-03-0	48.4
	RB-R32P-650-120.00	0002-02-03-0	53.8
124"	RB-S32P-355-124.00	0002-02-02-0	32.9
	RB-L32P-410-124.00	0002-02-02-0	31.9
	RB-S32P-410-124.00	0002-02-02-0	35.8
	RB-S32P-465-124.00	0002-02-02-0	38.7
	RB-S32P-500-124.00	0002-02-02-0	40.2
	RB-S32P-550-124.00	0002-02-02-0	42.8
	RB-S32P-600-124.00	0002-02-02-0	45.8
128"	RB-S32P-650-124.00	0002-02-03-0	49.9
	RB-R32P-650-124.00	0002-02-03-0	55.5
	RB-S32P-355-128.00	0002-02-02-0	33.9
	RB-L32P-410-128.00	0002-02-02-0	32.8
	RB-S32P-410-128.00	0002-02-02-0	36.9
	RB-S32P-465-128.00	0002-02-02-0	39.9
	RB-S32P-500-128.00	0002-02-02-0	41.4
RB-S32P-550-128.00	0002-02-02-0	44.1	
RB-S32P-600-128.00	0002-02-02-0	46.5	
RB-S32P-650-128.00	0002-02-03-0	51.4	
RB-R32P-650-128.00	0002-02-03-0	57.2	



Pallet Rack Product Guide

Ridg-U-Rak Slotted Beams

Length	Part Number	Std. Options	Wt.
132"	RB-S32P-355-132.00	0002-02-02-0	34.9
	RB-L32P-410-132.00	0002-02-02-0	33.8
	RB-S32P-410-132.00	0002-02-02-0	38.0
	RB-S32P-465-132.00	0002-02-02-0	41.0
	RB-S32P-500-132.00	0002-02-02-0	42.6
	RB-S32P-550-132.00	0002-02-02-0	45.4
	RB-S32P-600-132.00	0002-02-02-0	48.6
	RB-S32P-650-132.00	0002-02-03-0	52.9
	RB-R32P-650-132.00	0002-02-03-0	58.8
136"	RB-S32P-355-136.00	0002-02-02-0	35.9
	RB-L32P-410-136.00	0002-02-02-0	34.7
	RB-S32P-410-136.00	0002-02-02-0	39.0
	RB-S32P-465-136.00	0002-02-02-0	42.2
	RB-S32P-500-136.00	0002-02-02-0	43.9
	RB-S32P-550-136.00	0002-02-02-0	46.7
	RB-S32P-600-136.00	0002-02-02-0	49.3
	RB-S32P-650-136.00	0002-02-03-0	54.3
	RB-R32P-650-136.00	0002-02-03-0	60.5
140"	RB-S32P-355-140.00	0002-02-02-0	36.9
	RB-L32P-410-140.00	0002-02-02-0	35.7
	RB-S32P-410-140.00	0002-02-02-0	40.1
	RB-S32P-465-140.00	0002-02-02-0	43.4
	RB-S32P-500-140.00	0002-02-02-0	45.1
	RB-S32P-550-140.00	0002-02-02-0	48.0
	RB-S32P-600-140.00	0002-02-02-0	51.4
	RB-S32P-650-140.00	0002-02-03-0	55.8
	RB-R32P-650-140.00	0002-02-03-0	62.2
144"	RB-S32P-355-144.00	0002-02-02-0	37.8
	RB-L32P-410-144.00	0002-02-02-0	36.6
	RB-S32P-410-144.00	0002-02-02-0	41.2
	RB-S32P-465-144.00	0002-02-02-0	44.5
	RB-S32P-500-144.00	0002-02-02-0	46.3
	RB-S32P-550-144.00	0002-02-02-0	49.2
	RB-S32P-600-144.00	0002-02-02-0	52.8
	RB-S32P-650-144.00	0002-02-03-0	57.3
	RB-R32P-650-144.00	0002-02-03-0	63.8

Length	Part Number	Std. Options	Wt.
148"	RB-S32P-355-148.00	0002-02-02-0	38.8
	RB-L32P-410-148.00	0002-02-02-0	37.6
	RB-S32P-410-148.00	0002-02-02-0	42.3
	RB-S32P-465-148.00	0002-02-02-0	45.7
	RB-S32P-500-148.00	0002-02-02-0	47.5
	RB-S32P-550-148.00	0002-02-02-0	50.6
	RB-S32P-600-148.00	0002-02-02-0	54.2
	RB-S32P-650-148.00	0002-02-03-0	58.8
	RB-R32P-650-148.00	0002-02-03-0	65.5
152"	RB-S32P-355-152.00	0002-02-02-0	39.8
	RB-L32P-410-152.00	0002-02-02-0	38.5
	RB-S32P-410-152.00	0002-02-02-0	43.3
	RB-S32P-465-152.00	0002-02-02-0	46.9
	RB-S32P-500-152.00	0002-02-02-0	48.7
	RB-S32P-550-152.00	0002-02-02-0	51.9
	RB-S32P-600-152.00	0002-02-02-0	55.6
	RB-S32P-650-152.00	0002-02-03-0	60.3
	RB-R32P-650-152.00	0002-02-03-0	67.2
156"	RB-S32P-355-156.00	0002-02-02-0	40.8
	RB-L32P-410-156.00	0002-02-02-0	39.5
	RB-S32P-410-156.00	0002-02-02-0	44.4
	RB-S32P-465-156.00	0002-02-02-0	48.1
	RB-S32P-500-156.00	0002-02-02-0	49.9
	RB-S32P-550-156.00	0002-02-02-0	53.2
	RB-S32P-600-156.00	0002-02-02-0	56.2
	RB-S32P-650-156.00	0002-02-03-0	61.8
	RB-R32P-650-156.00	0002-02-03-0	68.8



Pallet Rack Product Guide

FRAME BUNDLE QUANTITIES

Full Bundle quantities for Standard frames with standard floor pads and with the frames turned end-for-end.

Column Types	Frame Depth		Frame Height	Slant-Bak
	42" & Under	Over 42"		
Slotted			21' & Over	
32 C	14 per skid	14 per skid	14 per skid	12 per skid
33 C	18 per skid	15 per skid	15 per skid	12 per skid
43 C	11 per skid	11 per skid	11 per skid	10 per skid

Column Types	Frame Depth		Frame Height	Slant-Bak
	42" & Under	Over 42"		
Teardrop			21' & Over	
32 I	18 per skid	15 per skid	15 per skid	12 per skid
33 I	18 per skid	15 per skid	15 per skid	12 per skid
43 I	11 per skid	11 per skid	11 per skid	10 per skid

Column Types	Frame Depth		Frame Height	Slant-Bak
	42" & Under	Over 42"		
Bolted			21' & Over	
32 D	14 per skid	14 per skid	14 per skid	12 per skid
33 B	18 per skid	15 per skid	15 per skid	10 per skid
43 B	11 per skid	11 per skid	11 per skid	10 per skid

Column Types	Frame Depth		Frame Height
	42" & Under	Over 42"	
Wide Span			21' & Over
	33 per skid	33 per skid	33 per skid

NOTES:

1)	Quantities only apply to frames with standard floor pads and no welded deflectors or bullnose
2)	Quantities only apply to frames that are turned end for end in the skid.
3)	Slant-Baks are never turned end for end.
4)	Maximum frame depth that can be double stacked in a van trailer is 42"



Pallet Rack Product Guide

Guidelines for standard skidding of rolled beams with STANDARD connector plates

Slotted (6.75" connector)	UP TO	Skid Qty	Configuration	Approx. Skid Height	Approx. Skid Weight	Approx. Skid Length	OVER	Skid Qty	OVER	Skid Qty
2.50"	ALL =	72	8 rows of 9	34"	1,716 lbs.	Beam length plus 3"				
3.00"	120" =	72	8 rows of 9	34"	1,970 lbs.	Beam length plus 3"	120" =	54		
3.55"	120" =	64	8 rows of 8	34"	2,028 lbs.	Beam length plus 3"	120" =	56		
4.10"	120" =	64	8 rows of 8	34"	2,200 lbs.	Beam length plus 3"	120" =	48		
4.65"	108" =	56	8 rows of 7	34"	1,912 lbs.	Beam length plus 3"	108" =	49		
5.00"	108" =	56	8 rows of 7	34"	1,979 lbs.	Beam length plus 3"	108" =	49		
5.50"	108" =	48	8 rows of 6	34"	1,805 lbs.	Beam length plus 3"	108" =	42		
6.00"	108" =	48	8 rows of 6	34"	1,936 lbs.	Beam length plus 3"	108" =	36	132" =	30
6.50"	108" =	42	7 rows of 6	30.5"	1,852 lbs.	Beam length plus 3"	108" =	30		

Teardrop (6.00" connector)	UP TO	Skid Qty	Configuration	Approx. Skid Height	Approx. Skid Weight	Approx. Skid Length	OVER	Skid Qty	OVER	Skid Qty
2.50"	ALL =	70	7 rows of 10	30.5"	1,480 lbs.	Beam length plus 3"				
3.00"	120" =	72	8 rows of 9	34"	1,970 lbs.	Beam length plus 3"	120" =	54		
3.55"	120" =	72	8 rows of 9	34"	2,300 lbs.	Beam length plus 3"	120" =	54		
4.10"	120" =	64	8 rows of 8	34"	2,200 lbs.	Beam length plus 3"	120" =	48		
4.65"	120" =	64	8 rows of 8	34"	1,912 lbs.	Beam length plus 3"	120" =	48		
5.00"	108" =	64	8 rows of 8	34"	1,979 lbs.	Beam length plus 3"	108" =	48		
5.50" (8")	108" =	48	8 rows of 7	34"	2,181 lbs.	Beam length plus 3"	108" =	36	120" =	35
6.00 (8")	108" =	42	7 rows of 6	30.5"	1,749 lbs.	Beam length plus 3"	108" =	36	120" =	30
6.50" (8")	ALL	36	6 rows of 6	27"	1,589 lbs.	Beam length plus 3"				

Wide Span (5.5")	UP TO	Skid Qty	Configuration	Approx. Skid Height	Approx. Skid Weight	Approx. Skid Length	OVER	Skid Qty	OVER	Skid Qty
WRB-L-17W	All =	90	10 rows of 9	33.5"	1,218 lbs.	Beam length plus 3"				

REV-10



Pallet Rack Product Guide

Ridg-U-Rak Pallet Rack Color Option Table

Standard Colors	Color Option #	Set Up Charge
Forest Green	01	NONE
Safety Orange	02	NONE

Level I Colors	Color Option #	Set Up Charge
Light Gray	81	NONE
Lake Green	83	NONE
Oyster White	54	\$ 250.00 *
Sky White	56	\$ 250.00 *

Level II Colors	Color Option #	Set Up Charge
Black Semi-Gloss	82	\$ 250.00 *
Crimson Red	77	\$ 250.00 *
Ultra Orange	62	NONE
Ocean Blue	86	\$ 250.00 *
Cobalt Blue	34	\$ 250.00 *
Bright Yellow	85	\$ 250.00 *
CUSTOM COLORS	TBD	\$ 250.00 *

*On all quotes over \$100,000 LIST, Ridg-U-Rak will waive all paint set up charges for paint color options offered by Ridg-U-Rak for manufactured parts (Frames, Beams, Accessories).

Orders less than \$100,000 LIST will require a Paint Color Set up charge of **\$250.00 PER color ordered.**

In some cases, if the customer can be flexible on the lead time, Ridg-U-Rak may be able to waive or reduce the \$250.00 paint set up charge.



Pallet Rack Product Guide

Floor Pad & Shim Options

Floor Pad Orientation	Size	Thickness (in.)	Floor Pad Option	Compatible Shims UNPAINTED	
	3.37" x 4.75"	1/8"	01, Standard floor pad for a 3" wide column	Mapics Number = 556347 Thickness = .075	
	4" x 6"	3/8"	2E	Mapics Number = 95346 Thickness = .075	
	5" x 6"	1/8"	28, Standard floor pad for a 4" wide column	Mapics Number = 519106 Thickness = .075	
		3/8"	41		
	6.5" x 5"	3/8"	78	Mapics Number = 503066 Thickness = .075	
	7.5" x 5"	3/8"	82	Mapics Number = 506967 Thickness = .075	
	8" x 8"	3/8"	86	Mapics Number = 508940 Thickness = .075	
		1/2"	87		

The Hole diameter for all above options is 5/8" for a 1/2" diameter anchor.

Larger diameter holes are available for larger anchor diameters.

Column 33 is shown above.

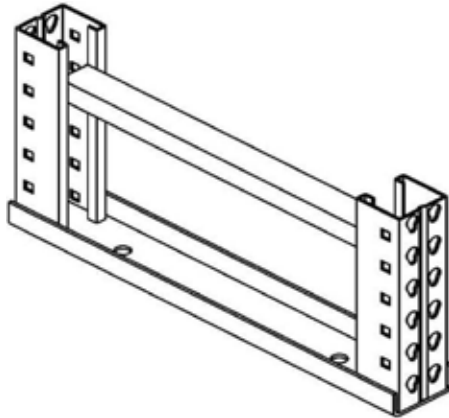
Column type 43 can not be used with Option 01 or 2E

Column locations on the above options are as shown. If a special location is required, it must be stated when ordered or the frames will be manufactured as shown above.



Pallet Rack Product Guide

Full Depth Base Channels



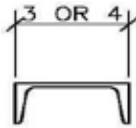
1/8" Standard Duty Base Channel	
Column Profile	Option #
3" wide	31
4" wide	33

3/16" Heavy Duty Base Channel	
Column Profile	Option #
3" wide	32
4" wide	34

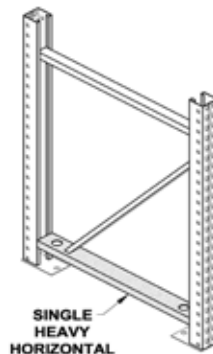
The Base Channels are Factory Welded
Use the Option Numbers shown above in Floor Pad Option Field

Heavy Duty Bottom Horizontals

SINGLE HDBH



SINGLE



SINGLE HEAVY HORIZONTAL

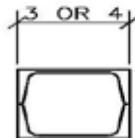
3" wide TYPE UPRIGHTS

Single Option #
E

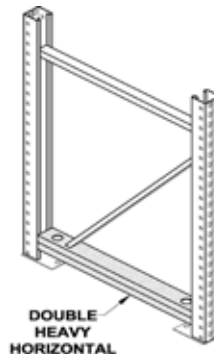
4" wide TYPE UPRIGHTS

Single Option #
E

DOUBLE HDBH



DOUBLE



DOUBLE HEAVY HORIZONTAL

3" wide TYPE UPRIGHTS

Double Option #
J

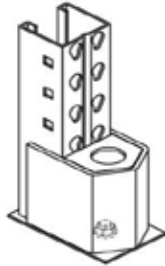
4" wide TYPE UPRIGHTS

Double Option #
J

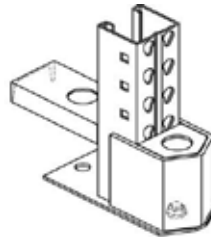
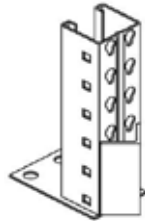


Pallet Rack Product Guide

Deflector Options



WRAP-AROUND DEFLECTOR - FRONT ANCHOR with CAP PLATE (Cap plug is optional)		
COLUMN	Height	Option #
3" Columns	4"	H
	5"	I
	6"	J
	8"	K
	12"	L
4" Columns	4"	H
	5"	I
	6"	J
	8"	K
	12"	L
Note: Only one front anchor is used with this option		



ANGLE DEFLECTOR - WELDED TO UPRIGHT (No Cap)		
COLUMN	Height	Option #
3" Columns (2x2x3/16 Angle)	4"	M
	5"	N
	6"	P
	8"	Q
	12"	R
	18"	S
	24"	T
4" Columns (3x3x3/16 Angle)	4"	M
	5"	N
	6"	P
	8"	Q
	12"	R
	18"	S
	24"	T

WRAP-AROUND DEFLECTOR - FRONT ANCHOR with CAP PLATE (Cap plug is optional)		
COLUMN	Height	Option #
3" Columns	4"	U
	5"	V
	6"	W
	8"	Y
	12"	Z
4" Columns	4"	U
	5"	V
	6"	W
	12"	Z

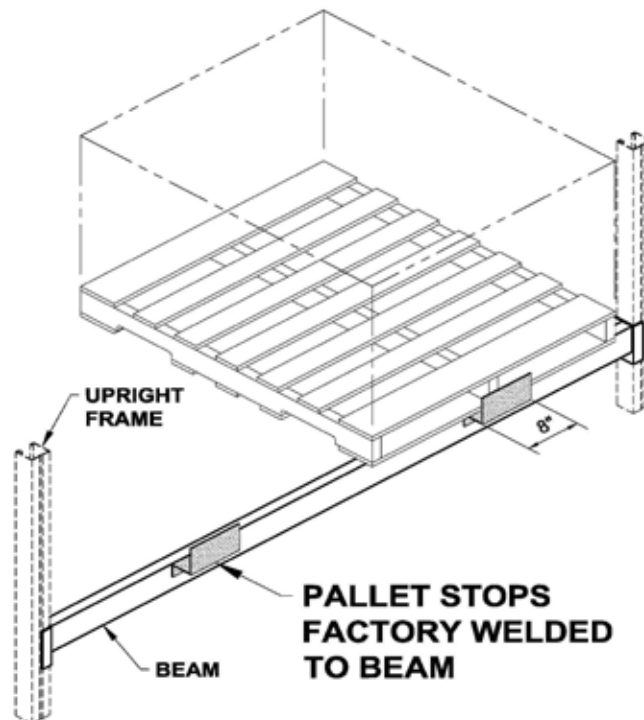
Note: To provide more impact resistance, this option provides for two anchors (one front of the front column plus one in the rear of the front column) and requires an **HD** or **HDBH** bottom horizontal.



Pallet Rack Product Guide

PALLET STOP TABLE

(1) PALLET WIDE BEAM STOP LOCATED @ BEAM CENTERLINE		
OPTION #	# OF STOPS	PALLET STOP CONFIGURATION
A	1	8" WIDE X 3" DEEP X 3" HIGH
B	1	8" WIDE X 4" DEEP X 3" HIGH
(2) PALLET WIDE BEAM STOP LOCATED @ MIDDLE OF EACH 1/2 BEAM LENGTH		
OPTION #	# OF STOPS	PALLET STOP CONFIGURATION
C	2	8" WIDE X 3" DEEP X 3" HIGH
D	2	8" WIDE X 4" DEEP X 3" HIGH
(3) PALLET WIDE BEAM STOP LOCATED @ MIDDLE OF EACH 1/3 BEAM LENGTH		
OPTION #	# OF STOPS	PALLET STOP CONFIGURATION
E	3	8" WIDE X 3" DEEP X 3" HIGH
F	3	8" WIDE X 4" DEEP X 3" HIGH
OTHERS		
0	0	NONE
1	2	3" WIDE X 3" DEEP X 4" HIGH
2	4	3" WIDE X 3" DEEP X 4" HIGH
3	4	3" WIDE X 3" DEEP X 6" HIGH
4	4	3" WIDE X 3" DEEP X 4" HIGH
9		SPECIAL STOPS AND/OR SPACING





Pallet Rack Product Guide

Bolted LOAD STOP

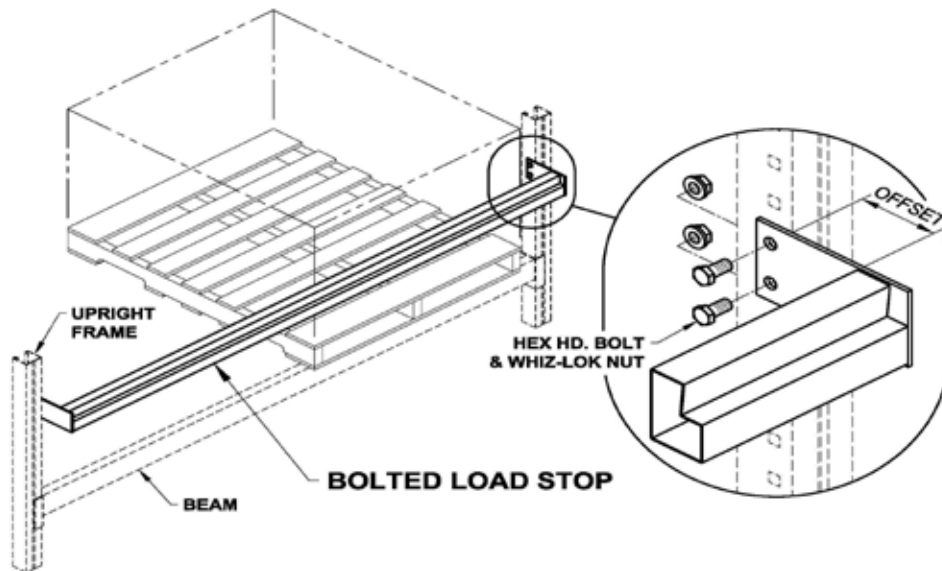
Part Number	Description
BLS-S-32P-355-XXX.XXX 02-03-0	Load Stop Beam Adder 3-6" Offset
BLS-S-32I-355-XXX.XXX 02-03-0	Load Stop Beam Adder 3-6" Offset

Requires standard hardware of four (4) each 1/2 x 1 H.H. Bolt and Lock Nut.
Longer bolts for continuous runs are available upon request.

Sample Part Number:	BLS-S-32P-355-096.00 02-03-0
---------------------	------------------------------

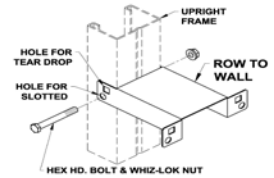
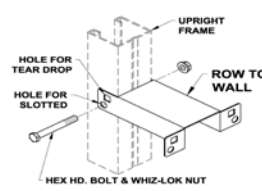
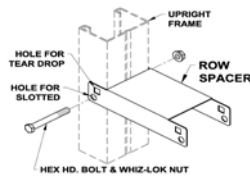
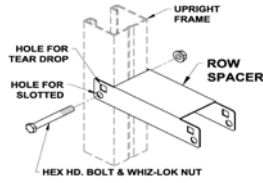
BLS-	Bolt on Load Stop
S-	Material
32	Fits all Column Widths
P/I-	Punching
355-	Beam Series used
LENGTH	Beam Length
SPACE	Separator
COLOR	02 = Safety Orange
OFFSET	Inches of Offset 3" - 6" Typical
SPECIAL	-0/X

WARNING: Bolt On Load Stops can not be used in any section of column that has Column Sentry Impact protection installed.





Pallet Rack Product Guide



Row Spacers - 3" Columns	
Electro-Galvanized Finish	
Part Number	
RS-L-3-006.00	13-0
RS-L-3-008.00	13-0
RS-L-3-010.00	13-0
RS-L-3-012.00	13-0
RS-L-3-014.00	13-0
RS-L-3-016.00	13-0
RS-L-3-018.00	13-0
RS-L-3-020.00	13-0
RS-L-3-022.00	13-0
RS-L-3-024.00	13-0
RS-L-3-026.00	13-0
RS-L-3-028.00	13-0
RS-L-3-030.00	13-0
RS-L-3-032.00	13-0
RS-L-3-034.00	13-0
RS-L-3-036.00	13-0
RS-L-3-038.00	13-0
RS-L-3-040.00	13-0
RS-L-3-042.00	13-0
RS-L-3-044.00	13-0
RS-L-3-046.00	13-0
RS-L-3-048.00	13-0
RS-L-3-050.00	13-0
RS-L-3-052.00	13-0
RS-L-3-054.00	13-0
RS-L-3-056.00	13-0
RS-L-3-058.00	13-0
RS-L-3-060.00	13-0
RS-L-3-062.00	13-0
RS-L-3-064.00	13-0
RS-L-3-066.00	13-0
RS-L-3-068.00	13-0
RS-L-3-070.00	13-0
RS-L-3-072.00	13-0
Requires two (2) each 7/16 x 3.5" bolts and nuts	

Row Spacers - 4" Columns	
Electro-Galvanized Finish	
Part Number	
RS-L-4-006.00	13-0
RS-L-4-008.00	13-0
RS-L-4-010.00	13-0
RS-L-4-012.00	13-0
RS-L-4-014.00	13-0
RS-L-4-016.00	13-0
RS-L-4-018.00	13-0
RS-L-4-020.00	13-0
RS-L-4-022.00	13-0
RS-L-4-024.00	13-0
RS-L-4-026.00	13-0
RS-L-4-028.00	13-0
RS-L-4-030.00	13-0
RS-L-4-032.00	13-0
RS-L-4-034.00	13-0
RS-L-4-036.00	13-0
RS-L-4-038.00	13-0
RS-L-4-040.00	13-0
RS-L-4-042.00	13-0
RS-L-4-044.00	13-0
RS-L-4-046.00	13-0
RS-L-4-048.00	13-0
RS-L-4-050.00	13-0
RS-L-4-052.00	13-0
RS-L-4-054.00	13-0
RS-L-4-056.00	13-0
RS-L-4-058.00	13-0
RS-L-4-060.00	13-0
RS-L-4-062.00	13-0
RS-L-4-064.00	13-0
RS-L-4-066.00	13-0
RS-L-4-068.00	13-0
RS-L-4-070.00	13-0
RS-L-4-072.00	13-0
Requires two (2) each 7/16 x 4.5" bolts and nuts	

Row-to-Wall Spacers - 3" Columns	
Electro-Galvanized Finish	
Part Number	
RW-L-3-006.00	13-0
RW-L-3-008.00	13-0
RW-L-3-010.00	13-0
RW-L-3-012.00	13-0
RW-L-3-014.00	13-0
RW-L-3-016.00	13-0
RW-L-3-018.00	13-0
RW-L-3-020.00	13-0
RW-L-3-022.00	13-0
RW-L-3-024.00	13-0
RW-L-3-026.00	13-0
RW-L-3-028.00	13-0
RW-L-3-030.00	13-0
RW-L-3-032.00	13-0
RW-L-3-034.00	13-0
RW-L-3-036.00	13-0
RW-L-3-038.00	13-0
RW-L-3-040.00	13-0
RW-L-3-042.00	13-0
RW-L-3-044.00	13-0
RW-L-3-046.00	13-0
RW-L-3-048.00	13-0
RW-L-3-050.00	13-0
RW-L-3-052.00	13-0
RW-L-3-054.00	13-0
RW-L-3-056.00	13-0
RW-L-3-058.00	13-0
RW-L-3-060.00	13-0
RW-L-3-062.00	13-0
RW-L-3-064.00	13-0
RW-L-3-066.00	13-0
RW-L-3-068.00	13-0
RW-L-3-070.00	13-0
RW-L-3-072.00	13-0
Requires one (1) each 7/16 x 3.5" bolt and nut	

Row-to-Wall Spacers - 4" Columns	
Electro-Galvanized Finish	
Part Number	
RW-L-4-006.00	13-0
RW-L-4-008.00	13-0
RW-L-4-010.00	13-0
RW-L-4-012.00	13-0
RW-L-4-014.00	13-0
RW-L-4-016.00	13-0
RW-L-4-018.00	13-0
RW-L-4-020.00	13-0
RW-L-4-022.00	13-0
RW-L-4-024.00	13-0
RW-L-4-026.00	13-0
RW-L-4-028.00	13-0
RW-L-4-030.00	13-0
RW-L-4-032.00	13-0
RW-L-4-034.00	13-0
RW-L-4-036.00	13-0
RW-L-4-038.00	13-0
RW-L-4-040.00	13-0
RW-L-4-042.00	13-0
RW-L-4-044.00	13-0
RW-L-4-046.00	13-0
RW-L-4-048.00	13-0
RW-L-4-050.00	13-0
RW-L-4-052.00	13-0
RW-L-4-054.00	13-0
RW-L-4-056.00	13-0
RW-L-4-058.00	13-0
RW-L-4-060.00	13-0
RW-L-4-062.00	13-0
RW-L-4-064.00	13-0
RW-L-4-066.00	13-0
RW-L-4-068.00	13-0
RW-L-4-070.00	13-0
RW-L-4-072.00	13-0
Requires one (1) each 7/16 x 4.5" bolt and nut	

Ridg-U-Rak recommends a row spacer near the top horizontal. Ridg-U-Rak recommends a maximum distance between row spacer/row-to-wall spacer not to exceed 10 feet.

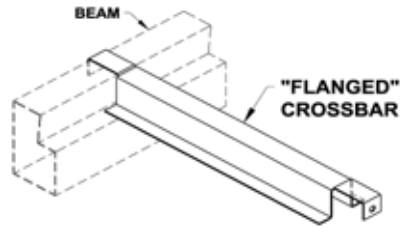
Frame Height to 14 feet = 1
 15 feet to 24 feet = 2
 25 feet to 34 feet = 3

Recommended number of Row Spacers
 Recommended number of Row Spacers
 Recommended number of Row Spacers



Pallet Rack Product Guide

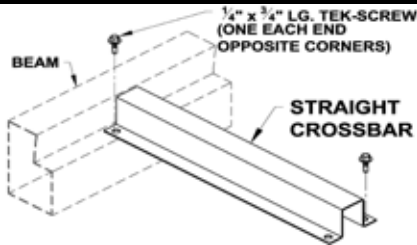
Crossbar Supports



Shelf Depth (in.)	1" FLANGED TOPHAT CROSSBAR		2" FLANGED TOPHAT CROSSBAR		Capacity (per CB)
	Part Number	Capacity	Part Number	Capacity	
24"	CBF-L-1-024.00 13-0	2,090	CBF-S-2-024.00 13-0	2,990	
30"	CBF-L-1-030.00 13-0	1,590	CBF-S-2-030.00 13-0	2,280	
36"	CBF-L-1-036.00 13-0	1,280	CBF-S-2-036.00 13-0	1,840	
42"	CBF-L-1-042.00 13-0	1,080	CBF-S-2-042.00 13-0	1,540	
44"	CBF-L-1-044.00 13-0	1,020	CBF-S-2-044.00 13-0	1,460	
48"	CBF-L-1-048.00 13-0	930	CBF-S-2-048.00 13-0	1,320	
60"	CBF-L-1-060.00 13-0	720	CBF-S-2-060.00 13-0	1,040	

NOTE: Ridg-U-Rak's Flanged style Cross Bars do not fit beams that have a top width of 1.75".

Standard finish is Electro-Galvanized



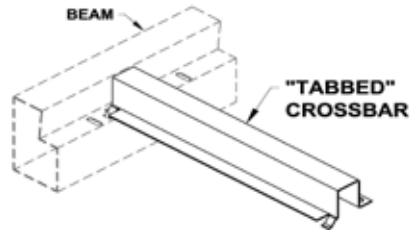
Shelf Depth (in.)	1" STRAIGHT TOPHAT CROSSBAR		2" STRAIGHT TOPHAT CROSSBAR		Capacity (per CB)
	Part Number	Capacity	Part Number	Capacity	
24"	CBN-L-1-024.00 13-0	2,090	CBN-S-2-024.00 13-0	2,990	
30"	CBN-L-1-030.00 13-0	1,590	CBN-S-2-030.00 13-0	2,280	
36"	CBN-L-1-036.00 13-0	1,280	CBN-S-2-036.00 13-0	1,840	
42"	CBN-L-1-042.00 13-0	1,080	CBN-S-2-042.00 13-0	1,540	
44"	CBN-L-1-044.00 13-0	1,020	CBN-S-2-044.00 13-0	1,460	
48"	CBN-L-1-048.00 13-0	930	CBN-S-2-048.00 13-0	1,320	
60"	CBN-L-1-060.00 13-0	720	CBN-S-2-060.00 13-0	1,040	

Standard finish is Electro-Galvanized

Requires 2 each 1/4 x 3/4" tek screws w/ each crossbar



Pallet Rack Product Guide

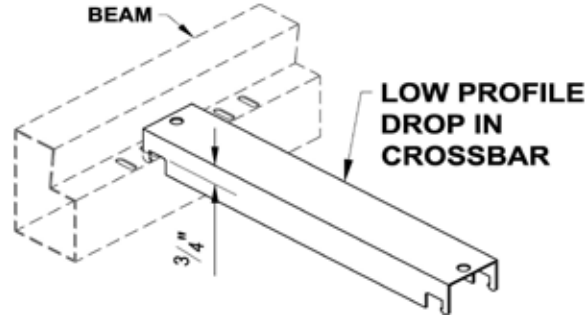


LOCK-IN TABBED CROSSBAR						
Shelf Depth (in.)	1 " TABBED STD. TOPHAT CROSSBAR			2" TABBED STD. TOPHAT CROSSBAR		
	Part Number		Capacity	Part Number		Capacity (per CB)
24"	CBU-L-1-024.00	13-0	2,090	CBU-S-2-024.00	13-0	2,990
30"	CBU-L-1-030.00	13-0	1,590	CBU-S-2-030.00	13-0	2,280
36"	CBU-L-1-036.00	13-0	1,280	CBU-S-2-036.00	13-0	1,840
42"	CBU-L-1-042.00	13-0	1,080	CBU-S-2-042.00	13-0	1,540
44"	CBU-L-1-044.00	13-0	1,020	CBU-S-2-044.00	13-0	1,460
48"	CBU-L-1-048.00	13-0	930	CBU-S-2-048.00	13-0	1,320
60"	CBU-L-1-060.00	13-0	720	CBU-S-2-060.00	13-0	1,040
Standard finish is Electro-Galvanized						
NOTE - Requires beam step to be punched to accept the cross bar tab. See Beam Step Punching Pattern.						

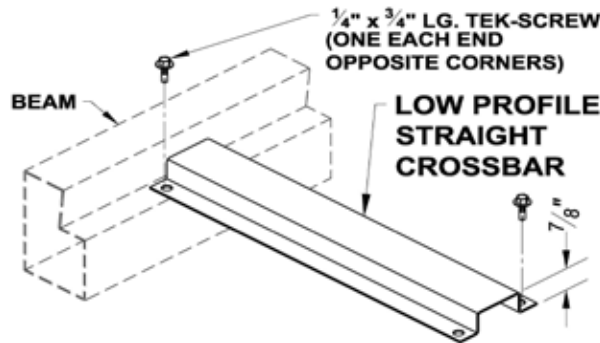


Pallet Rack Product Guide

Low Profile Crossbars



Frame Depth (in.)	LOW PROFILE DROP-IN CROSSBAR		
	Part Number		Capacity
24"	CBW-L-2-024.00	13-0	820
30"	CBW-L-2-030.00	13-0	630
36"	CBW-L-2-036.00	13-0	510
42"	CBW-L-2-042.00	13-0	430
44"	CBW-L-2-044.00	13-0	400
48"	CBW-L-2-048.00	13-0	370
60"	CBW-L-2-060.00	13-0	280
Standard Finish is Electro-Galvanized			
NOTE - Requires beam step to be punched to accept the cross bar tabs. See Beam Step Punching Pattern.			



Frame Depth (in.)	LOW PROFILE STRAIGHT TOPHAT CROSSBAR		
	Part Number		Capacity
24"	CBL-L-2-024.00	13-0	1,190
30"	CBL-L-2-030.00	13-0	900
36"	CBL-L-2-036.00	13-0	730
42"	CBL-L-2-042.00	13-0	610
44"	CBL-L-2-044.00	13-0	580
48"	CBL-L-2-048.00	13-0	530
60"	CBL-L-2-060.00	13-0	410
Standard Finish is Electro-Galvanized			
Requires 2 each 1/4 x 3/4" tek screws w/ each crossbar			



Pallet Rack Product Guide

COLUMN GUARDS

Straight Floor Mounted Column Guards			
32 & 33 Columns		43 Columns	
Part Number	Height	Part Number	Height
CG-G-S-32P-09.00-N-N85-03.68-0	9	CG-G-S-43C-09.00-N-N85-05.00-0	9
CG-G-S-32P-12.00-N-N85-03.68-0	12	CG-G-S-43C-12.00-N-N85-05.00-0	12
CG-G-S-32P-18.00-N-N85-03.68-0	18	CG-G-S-43C-18.00-N-N85-05.00-0	18
CG-G-S-32P-24.00-N-N85-03.68-0	24	CG-G-S-43C-24.00-N-N85-05.00-0	24

Requires three (3) each 1/2 x 3" concrete anchors.

Interference may occur with the first beam level location. All column guards painted Bright Yellow.

Above Column Guards are for use with frames that have a **STANDARD** floor pad option. Any other option may cause interference.

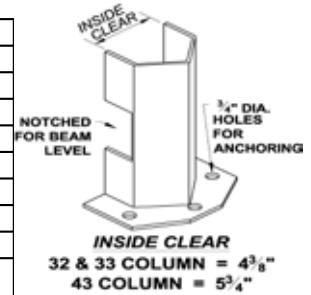


Straight Floor Mounted Column Guards with Beam notch.			
32 & 33 Columns		43 Columns	
Part Number	Height	Part Number	Height
CG-G-S-32P-09.00-N-Y85-03.68-0	9	CG-G-S-43C-09.00-N-Y85-05.00-0	9
CG-G-S-32P-12.00-N-Y85-03.68-0	12	CG-G-S-43C-12.00-N-Y85-05.00-0	12
CG-G-S-32P-18.00-N-Y85-03.68-0	18	CG-G-S-43C-18.00-N-Y85-05.00-0	18
CG-G-S-32P-24.00-N-Y85-03.68-0	24	CG-G-S-43C-24.00-N-Y85-05.00-0	24

The above pricing requires three (3) each 1/2 x 3" concrete anchors.

The lower beam location **MUST** be specified when ordering. All column guards painted Bright Yellow.

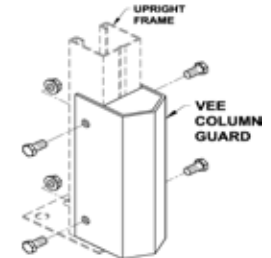
Above Column Guards are for use with frames that have a **STANDARD** floor pad option. Any other option may cause interference.



VEE Column Mounted Guards			
32 & 33 Columns		43 Columns	
Part Number	Height	Part Number	Height
CG-F-V-32C-09.00-N-N85-00.00-0	9	CG-F-V-43C-09.00-N-N85-00.00-0	9
CG-F-V-32C-12.00-N-N85-00.00-0	12	CG-F-V-43C-12.00-N-N85-00.00-0	12
CG-F-V-32C-18.00-N-N85-00.00-0	18	CG-F-V-43C-18.00-N-N85-00.00-0	18
CG-F-V-32C-24.00-N-N85-00.00-0	24	CG-F-V-43C-24.00-N-N85-00.00-0	24

Requires four (4) each 1/2" bolts and nuts. NOTE: All sizes over 18 inches tall require six (6) bolts and nuts.

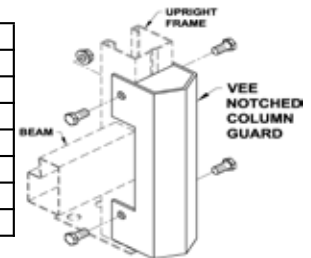
Interference may occur with the first beam level location. All column guards painted Bright Yellow.



VEE-NOTCH Column Mounted Guards			
32 & 33 Columns		43 Columns	
Part Number	Height	Part Number	Height
CG-F-V-32C-12.00-N-Y85-00.00-0	12	CG-F-V-43C-12.00-N-Y85-00.00-0	12
CG-F-V-32C-18.00-N-Y85-00.00-0	18	CG-F-V-43C-18.00-N-Y85-00.00-0	18
CG-F-V-32C-24.00-N-Y85-00.00-0	24	CG-F-V-43C-24.00-N-Y85-00.00-0	24

Requires four (4) each 1/2" bolts and nuts. NOTE: All sizes over 18 inches tall require six (6) bolts and nuts.

The lower beam location **MUST** be specified when ordering. All column guards painted Bright Yellow.



Part Number Example:

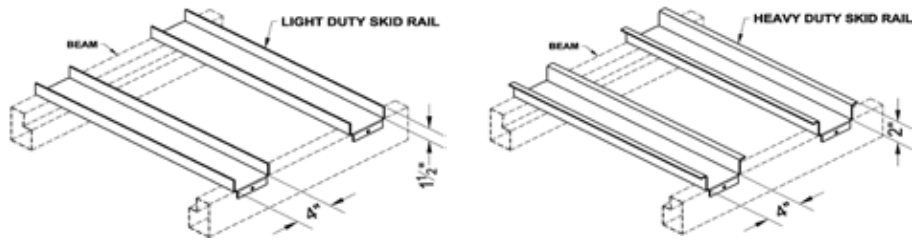
CG - G - S - 32P - 09.00 - N - N 85 - 0

CG	Column Guard
G	Material Thickness - H, F, G
S	Guard Type (T, S, V)
32P	Column Size / Type (32P, 32I, 33C, 33I, 43C, 43I)
09.00	Height of Guard (inches)
N	Cushion (No, Yes)
N	Notched (No, Yes)
85	Paint (85 - Bright Yellow Std)
0	Special Options



Pallet Rack Product Guide

Skid Rails



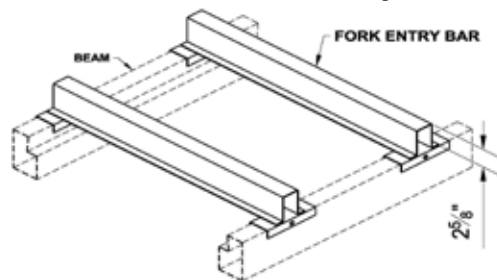
	Light Duty Skid Rail		Heavy Duty Skid Rail	
Frame Depth	Part Number	Capacity / PR.	Part Number	Capacity / PR.
24	SR-04.00-024.00-L 02-0	1,630	SR-04.00-024.00-H 02-0	5,140
30	SR-04.00-030.00-L 02-0	1,310	SR-04.00-030.00-H 02-0	4,110
36	SR-04.00-036.00-L 02-0	1,090	SR-04.00-036.00-H 02-0	3,430
42	SR-04.00-042.00-L 02-0	940	SR-04.00-042.00-H 02-0	2,940
44	SR-04.00-044.00-L 02-0	890	SR-04.00-044.00-H 02-0	2,810
48	SR-04.00-048.00-L 02-0	820	SR-04.00-048.00-H 02-0	2,570
60	SR-04.00-060.00-L 02-0	660	SR-04.00-060.00-H 02-0	2,060

All skid rails are painted Safety Orange Standard

Use two per pallet position.

Part Number Example: SR - 04.00 - 042.00 - L 02-0
 Skid Rail Width Frame Depth Light/Heavy Safety Orange

Fork Entry Bars



Fork Entry Bar		
Part Number		Capacity / PR.
FB-024.00	02-0	4,430
FB-030.00	02-0	3,540
FB-036.00	02-0	2,950
FB-042.00	02-0	2,530
FB-044.00	02-0	2,440
FB-048.00	02-0	2,220
FB-060.00	02-0	1,770

Fork Entry Bars are painted Safety Orange Standard

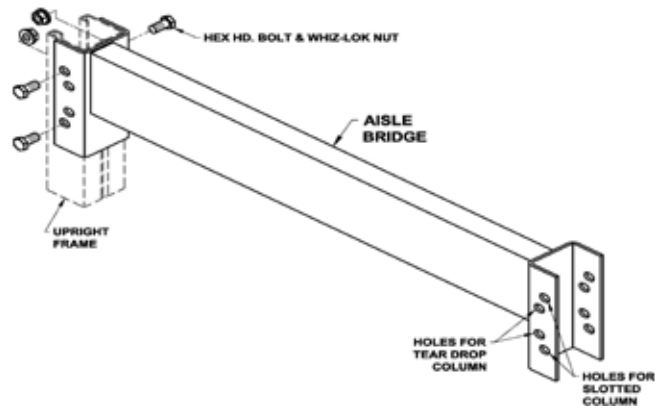
Use two per pallet position.

Fork Entry Bar P/N Example: FB - 042.00 02-0
 Fork Entry Bar Frame Depth Safety orange



Pallet Rack Product Guide

Universal Aisle Bridge Ties



Used with all 32C, 32I, 33C, 33I Columns		Used with all 43C and 43I Columns	
Part Number		Part Number	
AB-S-300-048.00-3	85-0	AB-S-300-048.00-4	85-0
AB-S-300-052.00-3	85-0	AB-S-300-052.00-4	85-0
AB-S-300-056.00-3	85-0	AB-S-300-056.00-4	85-0
AB-S-300-060.00-3	85-0	AB-S-300-060.00-4	85-0
AB-S-300-064.00-3	85-0	AB-S-300-064.00-4	85-0
AB-S-300-068.00-3	85-0	AB-S-300-068.00-4	85-0
AB-S-300-072.00-3	85-0	AB-S-300-072.00-4	85-0
AB-S-300-076.00-3	85-0	AB-S-300-076.00-4	85-0
AB-S-300-080.00-3	85-0	AB-S-300-080.00-4	85-0
AB-S-300-084.00-3	85-0	AB-S-300-084.00-4	85-0
AB-S-465-088.00-3	85-0	AB-S-465-088.00-4	85-0
AB-S-465-092.00-3	85-0	AB-S-465-092.00-4	85-0
AB-S-465-096.00-3	85-0	AB-S-465-096.00-4	85-0
AB-S-465-100.00-3	85-0	AB-S-465-100.00-4	85-0
AB-S-465-104.00-3	85-0	AB-S-465-104.00-4	85-0
AB-S-465-108.00-3	85-0	AB-S-465-108.00-4	85-0
AB-S-465-112.00-3	85-0	AB-S-465-112.00-4	85-0
AB-S-465-116.00-3	85-0	AB-S-465-116.00-4	85-0
AB-S-465-120.00-3	85-0	AB-S-465-120.00-4	85-0
AB-S-465-124.00-3	85-0	AB-S-465-124.00-4	85-0
AB-S-465-128.00-3	85-0	AB-S-465-128.00-4	85-0
AB-S-465-132.00-3	85-0	AB-S-465-132.00-4	85-0
AB-S-465-136.00-3	85-0	AB-S-465-136.00-4	85-0
AB-S-465-140.00-3	85-0	AB-S-465-140.00-4	85-0
AB-S-465-144.00-3	85-0	AB-S-465-144.00-4	85-0
AB-S-465-148.00-3	85-0	AB-S-465-148.00-4	85-0
AB-S-465-152.00-3	85-0	AB-S-465-152.00-4	85-0
AB-S-465-156.00-3	85-0	AB-S-465-156.00-4	85-0
AB-S-465-160.00-3	85-0	AB-S-465-160.00-4	85-0
AB-S-465-164.00-3	85-0	AB-S-465-164.00-4	85-0
AB-S-465-168.00-3	85-0	AB-S-465-168.00-4	85-0
AB-S-465-172.00-3	85-0	AB-S-465-172.00-4	85-0
AB-S-465-176.00-3	85-0	AB-S-465-176.00-4	85-0
AB-S-465-180.00-3	85-0	AB-S-465-180.00-4	85-0

NOTE: Requires eight (8) each 1/2 x 1 H.H. Bolt and Whiz Loc nut



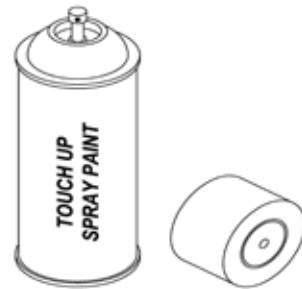
Pallet Rack Product Guide

Miscellaneous Pallet Rack Accessories

Screw in Anchors		
Part Number	Item #	Description
Hilti EZ Anchor--3/8 x 2 1/8	3821	Hilti Screw Anchor
Hilti EZ Anchor--1/2 x 3	1230	Hilti Screw Anchor
Hilti EZ Anchor--1/2 x 4 1/2	1245	Hilti Screw Anchor
Hilti EZ Anchor--5/8 x 4	5840	Hilti Screw Anchor



Touch Up Spray Paint	
Part Number	Item #
Spray Can - Forest Green #01	60599
Spray Can - Safety Orange #02	60600
Spray Can - Lake Green #83	12559
Spray Can - Light Gray #81	7711
Spray Can - Oyster White #54	73406
Spray Can - White #56	525124
Spray Can - Bright Yellow #85	14937
Spray Can - Crimson Red #77	7710
Spray Can - Colbalt Blue #34	26980
Spray Can - Ocean Blue #86	17470
Spray Can - Ultra Orange #62	12552
Spray Can - Black #82	14151



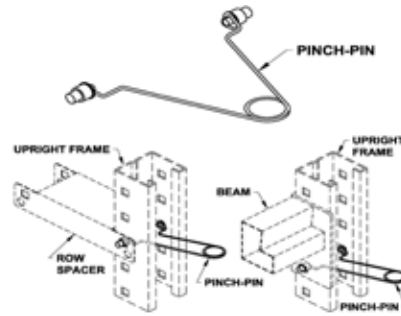


Pallet Rack Product Guide

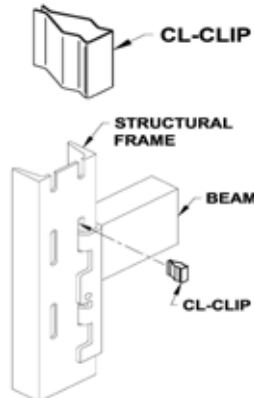
Miscellaneous Pallet Rack Accessories

OPTIONAL Locking Devices

Part Number	Item #	Notes
* PP-500 (PINCH PIN)	175	Can be used in all Pallet Rack Columns.



Part Number	Item #	Notes
* CLIP LOCK HVY DUTY YELLOW	17719	Used with SLOTTED Style columns only.



Part Number	Item #	Notes
* J-Pin	84849	J-Pins Can be used instead of Pinch Pins

